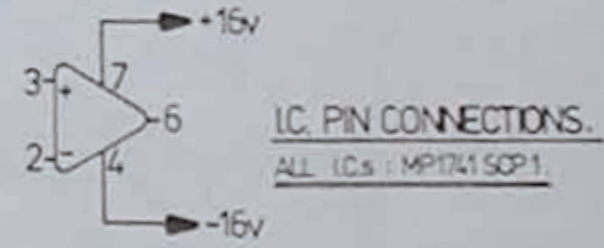
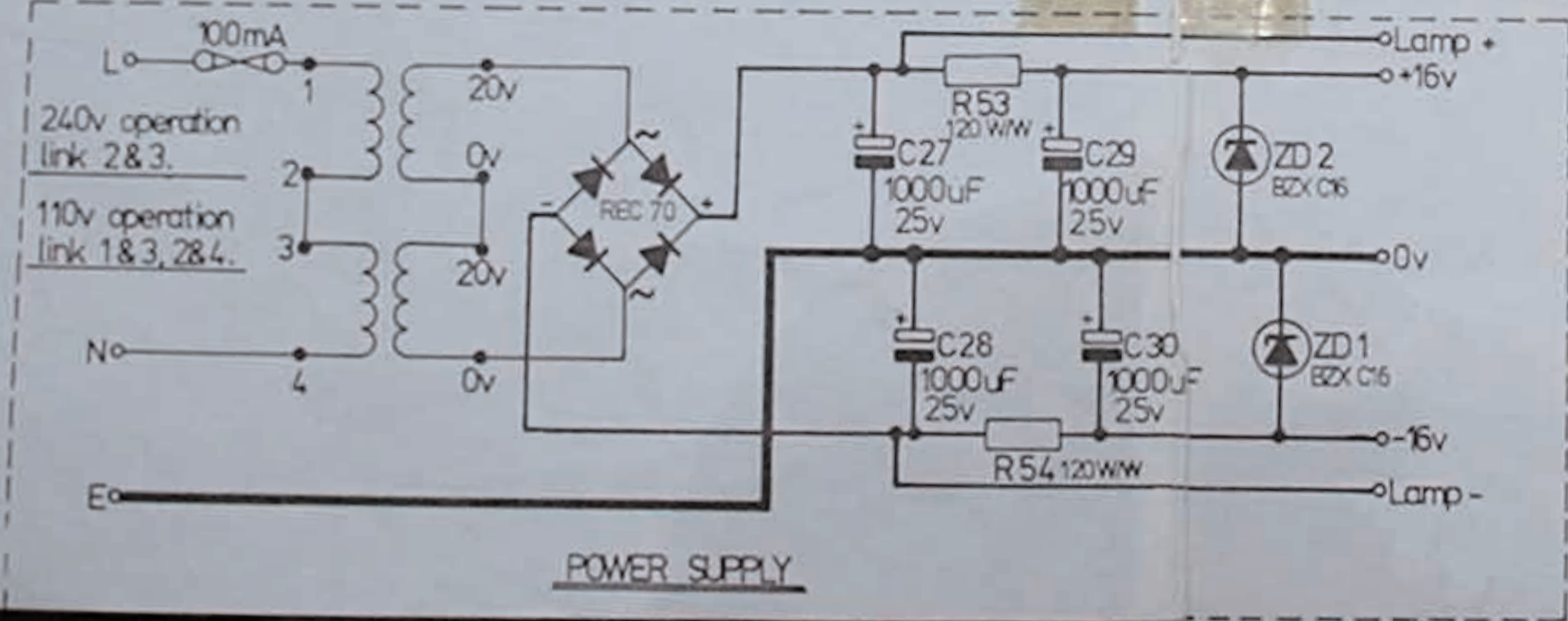
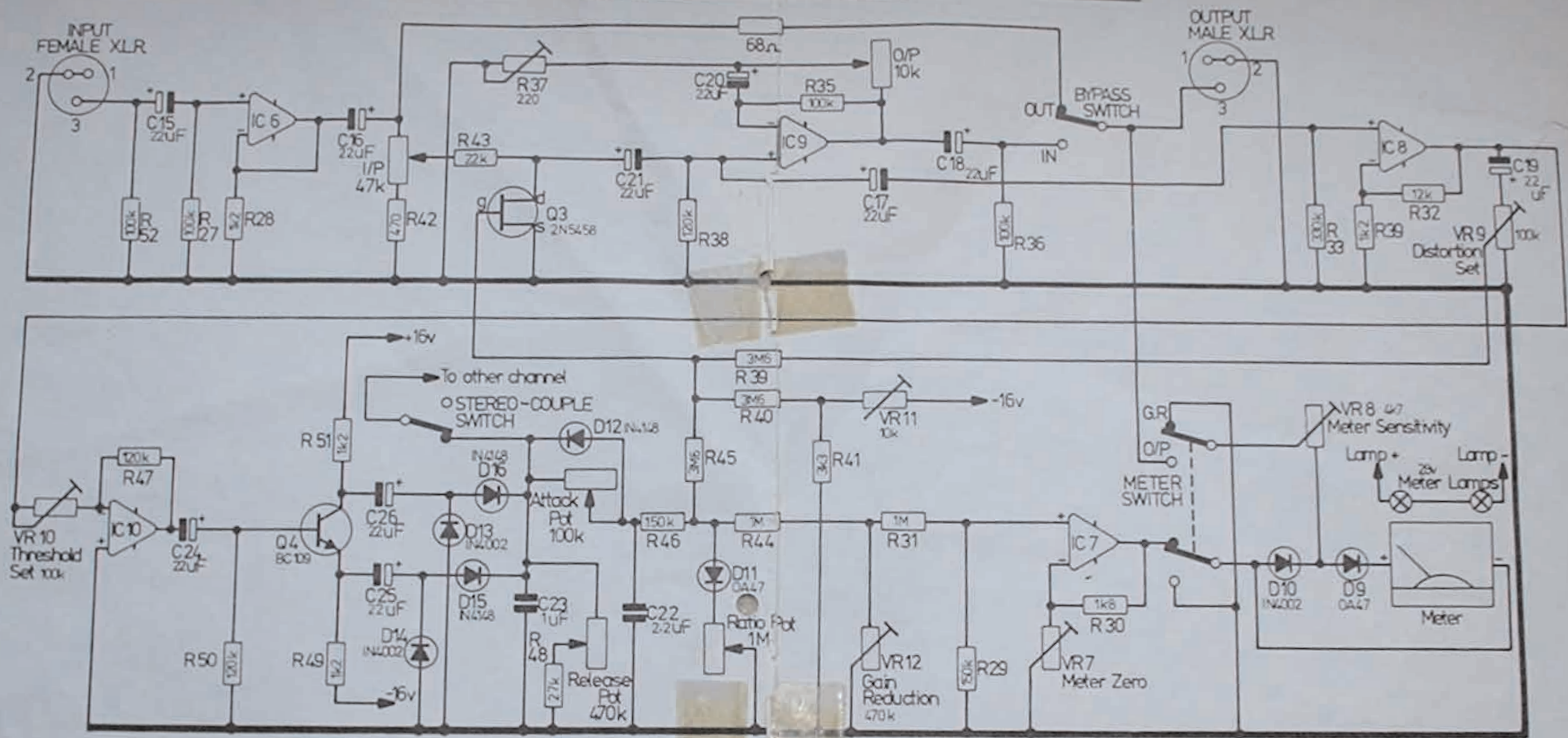




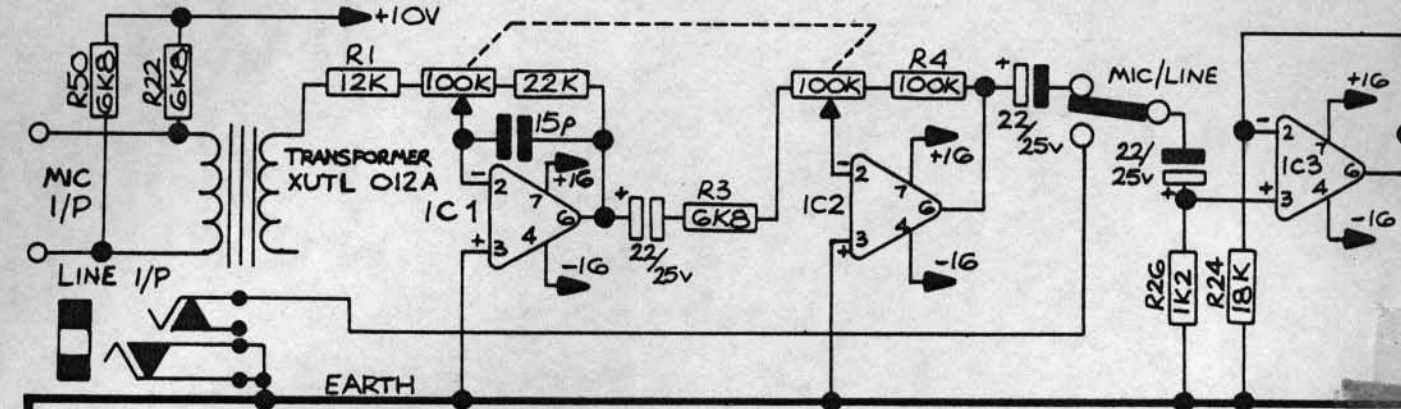
THIS CIRCUIT IS ONE OF TWO CIRCUITS IN THE LIMITER & COMPRESSOR. L/H CHANNEL COMPONENT IDENTIS SHOWN.



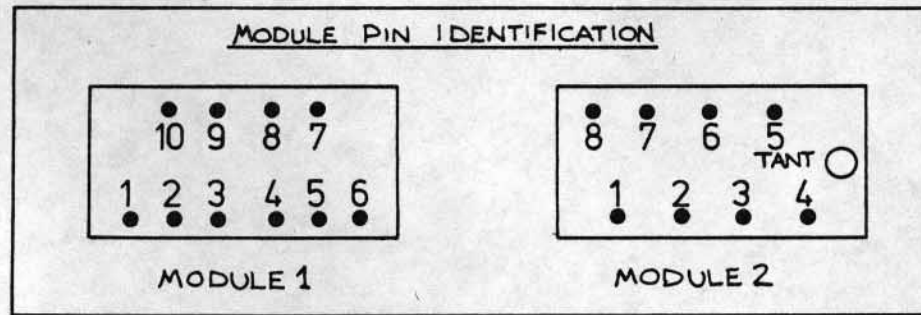
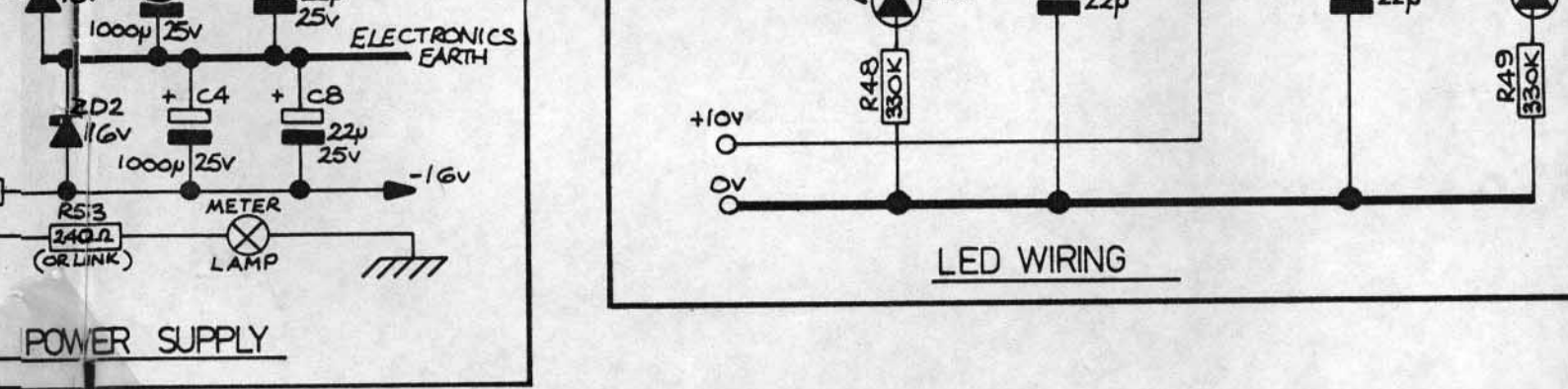
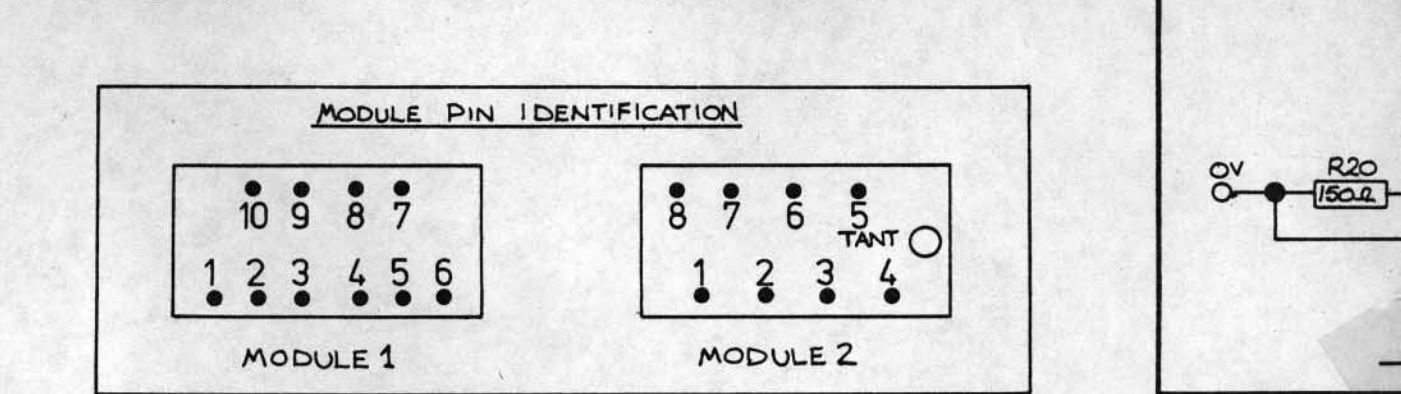
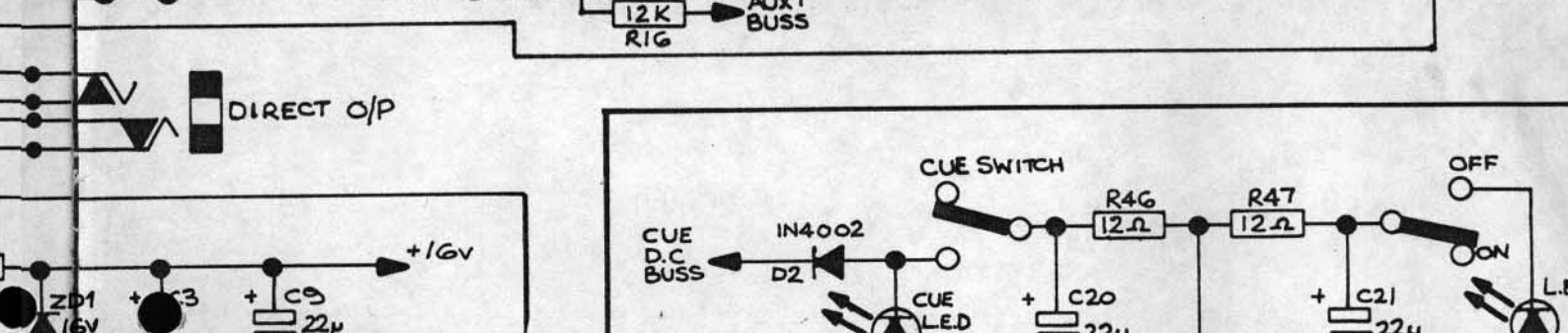
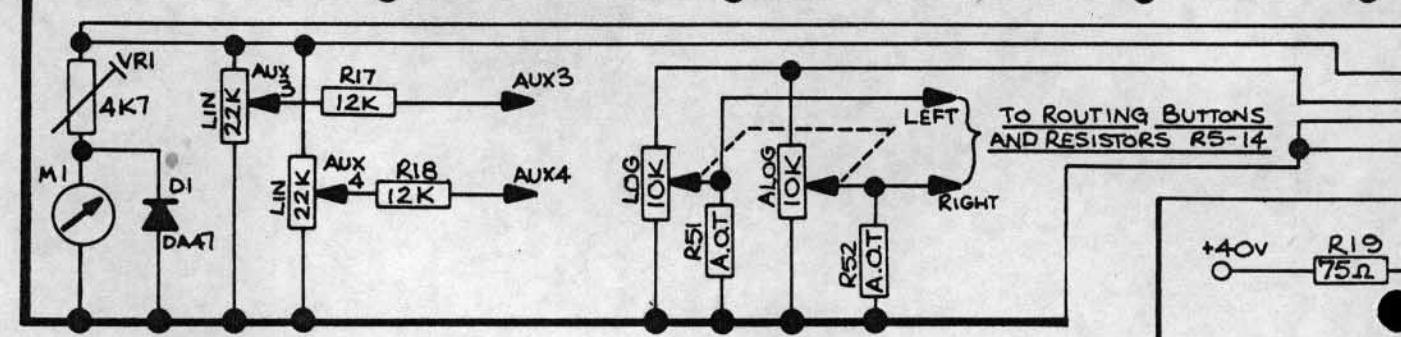
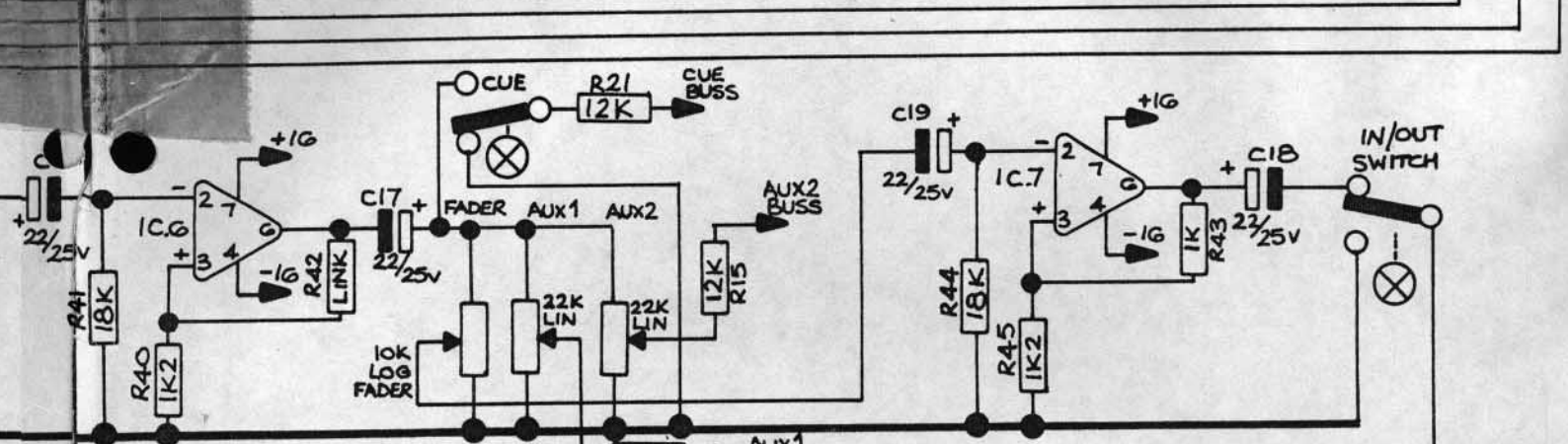
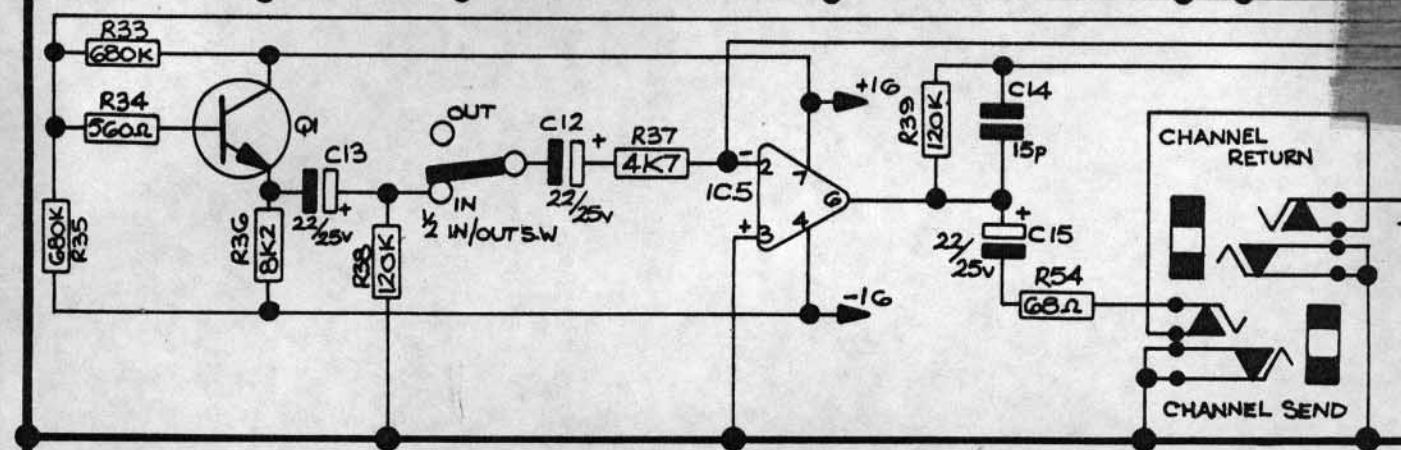
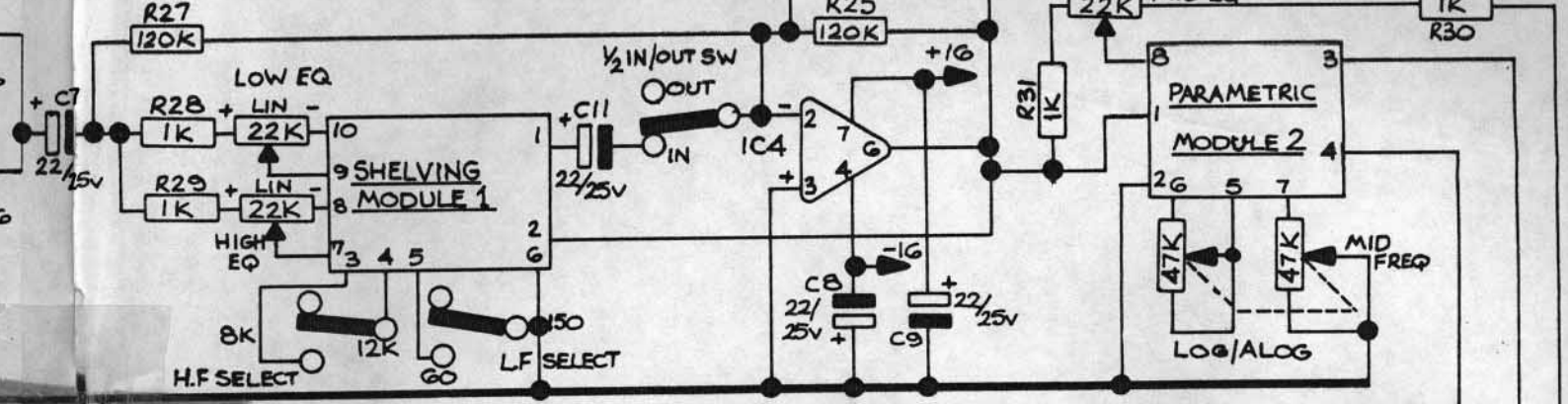
TITLE: L LIMITER/COMPRESSOR CCT. DIAG		
DRG. NO: ED 3166		
ISSUE: 2		
DATE: 8, AUG, 79.		
1162	G.R.	8, AUG, 79
MOD. NO.	MOD. BY	DATE
TRIDENT AUDIO DEVELOPMENTS LTD		



UNLESS OTHERWISE STATED ALL DIMENSIONS IN



REMOVE ALL BURRS & SHARP EDGES



POWER SUPPLY

LED WIRING

MATERIAL	SCALE	DRAWN SW	
FINISH	PROJECTION	ISSUE 2	DATE 8-2-79
TOLERANCES All imperial dimensions $\pm 0.01$ " All metric dimensions $\pm 0.25$ mm All angles $\pm 0.50^\circ$ Unless otherwise stated			
MOD NO	MOD BY	DATE	

TRIDENT AUDIO DEVELOPMENTS LIMITED  
SHEPPERTON STUDIOS  
SHEPPERTON  
MIDDLESEX  
Telephone: Chertsey (09328) 60241 Telex: 27782

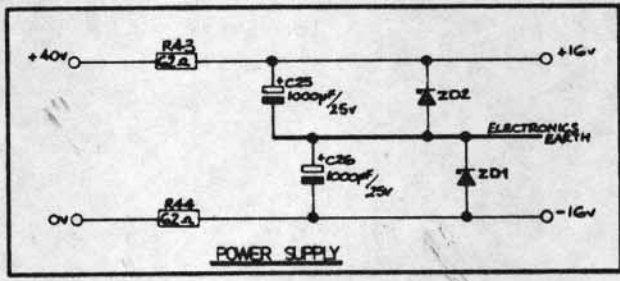
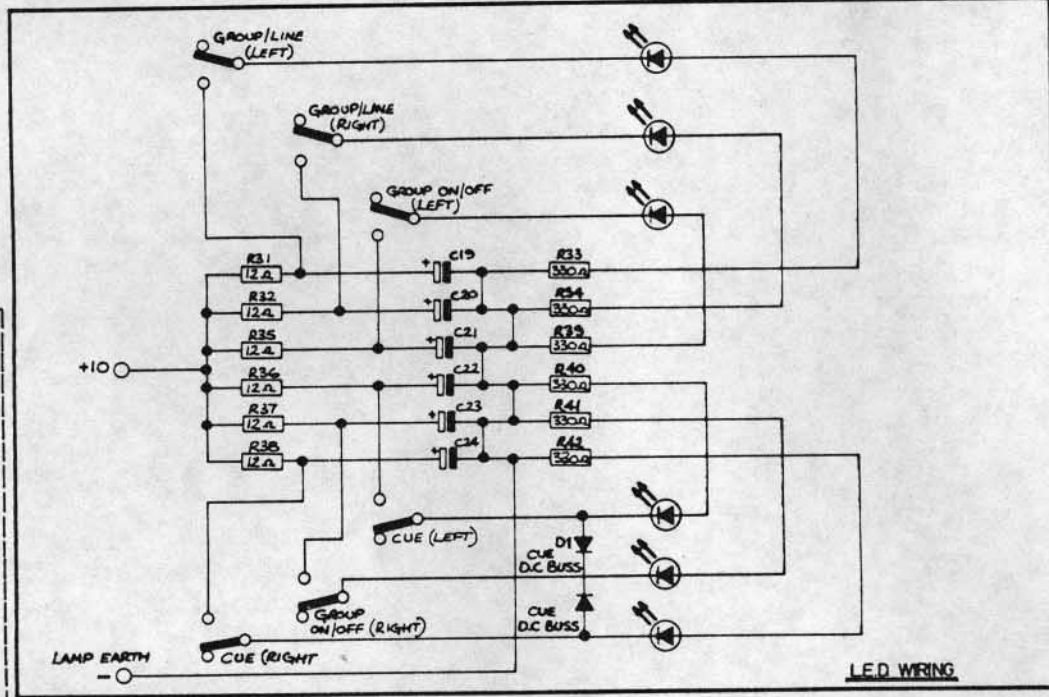
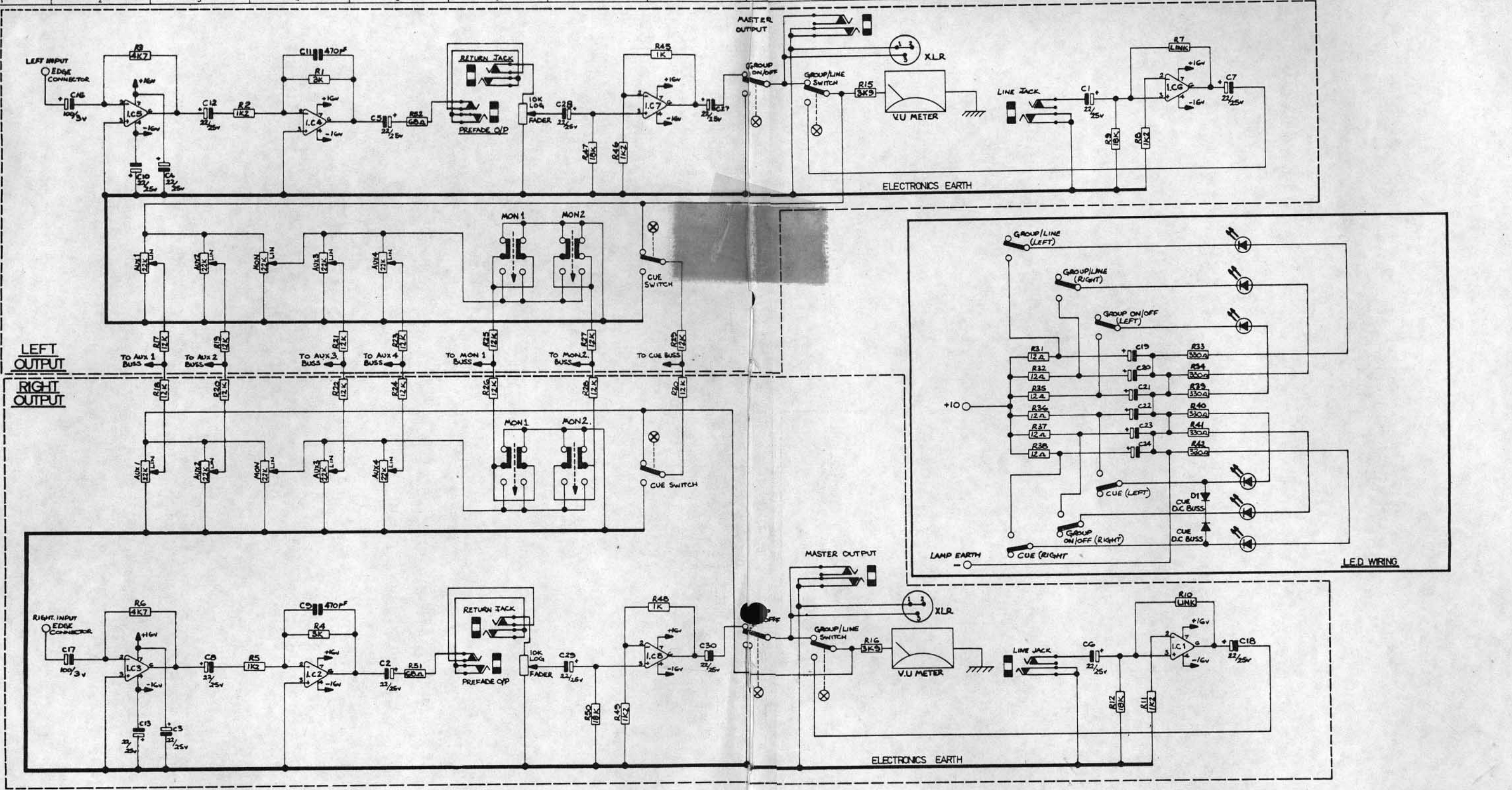
TITLE  
FLEXIMIX CHANNEL  
CIRCUIT DIAGRAM

DRAWING NUMBER  
ED3133

UNLESS OTHERWISE STATED ALL DIMS IN

REMOVE ALL BURRS AND SHARP EDGES

ANGLE PROJECTION



MOD NO	MOD BY	DATE	HOLE	DESCRIPTION	NO OFF	HOLE	DESCRIPTION	NO OFF

MATERIAL	SCALE	DRAWN	STW
FINISH	PROJECTION	CHK D BY	
TOLERANCES	All imperial dimensions ±0.01" All metric dimensions ±0.25mm All angles ±0.50° Unless otherwise stated		
ISSUE	DATE	20 2 79	
1			

<p>TRIDENT AUDIO DEVELOPMENTS LIMITED SHEPPERTON STUDIOS SHEPPERTON MIDDLESEX Telephone Chertsey/09328/60241 Telex 27782</p>	<p>TITLE <b>FLEXIMIX</b> <b>LEFT/RIGHT</b> <b>MASTER MODULE</b></p>
DRAWING NUMBER <b>ED3145</b>	

