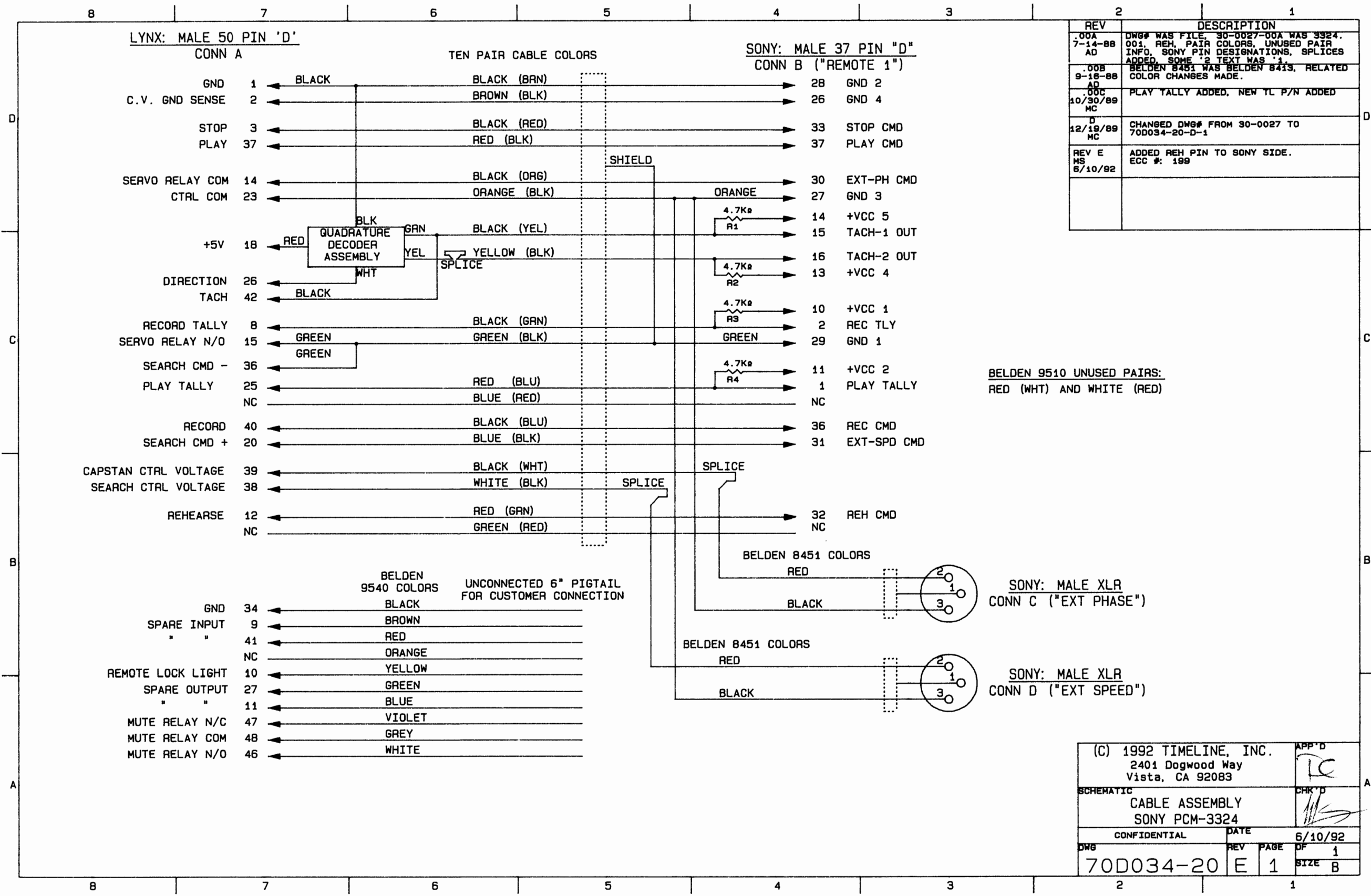


70D034-20 1/1 REV. E  
 CABLE ASSY, SONY PCM-3324



REV	DESCRIPTION
.00A	DWG# WAS FILE 30-0027-00A WAS 3324.
7-14-88 AD	001. REH. PAIR COLORS, UNUSED PAIR INFO, SONY PIN DESIGNATIONS, SPLICES ADDED. SOME '2' TEXT WAS '1'.
8-18-88 AD	BELDEN 8451 WAS BELDEN 8415, RELATED COLOR CHANGES MADE.
10/30/89 MC	PLAY TALLY ADDED, NEW TL P/N ADDED
12/19/89 MC	CHANGED DWG# FROM 30-0027 TO 70D034-20-D-1
REV E MS 6/10/92	ADDED REH PIN TO SONY SIDE. ECC #: 199

(C) 1992 TIMELINE, INC. 2401 Dogwood Way Vista, CA 92083		APP'D TC
SCHEMATIC CABLE ASSEMBLY SONY PCM-3324		CHK'D [Signature]
CONFIDENTIAL	DATE	6/10/92
DWG 70D034-20	REV E	PAGE 1
	DF 1	SIZE B