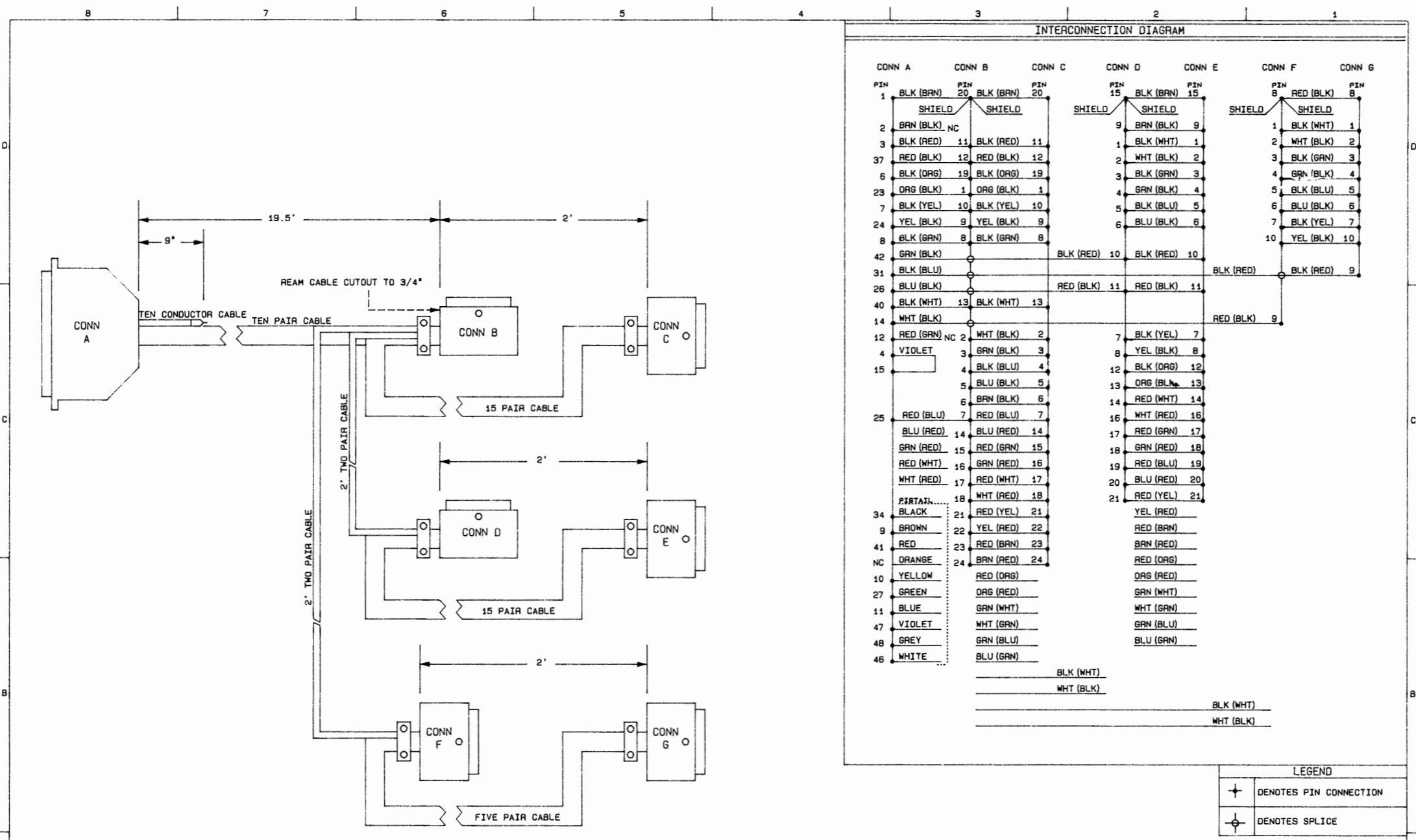


70D033-10-1
 Cable Sony/MCI JH-110
 Rev B



INTERCONNECTION DIAGRAM

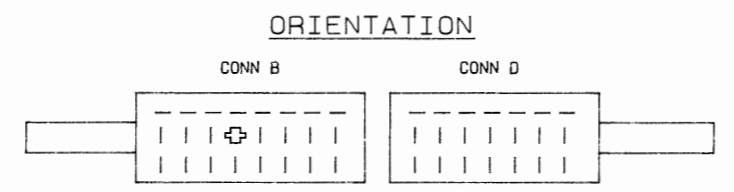
CONN A	CONN B	CONN C	CONN D	CONN E	CONN F	CONN G
PIN 1 BLK (BRN)	PIN 20 BLK (BRN)	PIN 20	PIN 15 BLK (BRN)	PIN 15	PIN 8 RED (BLK)	PIN 8
SHIELD	SHIELD		SHIELD	SHIELD	SHIELD	SHIELD
2 BRN (BLK) NC			9 BRN (BLK) 9		1 BLK (WHT) 1	
3 BLK (RED) 11	11 BLK (RED) 11		1 BLK (WHT) 1		2 WHT (BLK) 2	
37 RED (BLK) 12	12 RED (BLK) 12		2 WHT (BLK) 2		3 BLK (GRN) 3	
6 BLK (ORG) 19	19 BLK (ORG) 19		3 BLK (GRN) 3		4 GRN (BLK) 4	
23 ORG (BLK) 1	1 ORG (BLK) 1		4 GRN (BLK) 4		5 BLK (BLU) 5	
7 BLK (YEL) 10	10 BLK (YEL) 10		5 BLK (BLU) 5		6 BLU (BLK) 6	
24 YEL (BLK) 9	9 YEL (BLK) 9		6 BLU (BLK) 6		7 BLK (YEL) 7	
8 BLK (GRN) 8	8 BLK (GRN) 8		BLK (RED) 10		10 YEL (BLK) 10	
42 GRN (BLK)		10 BLK (RED)	10 BLK (RED) 10			
31 BLK (BLU)		RED (BLK) 11	11 RED (BLK) 11		9 BLK (RED)	
26 BLU (BLK)						
40 BLK (WHT) 13	13 BLK (WHT) 13					
14 WHT (BLK)						
12 RED (GRN) NC 2	2 WHT (BLK) 2		7 BLK (YEL) 7			
4 VIOLET	3 GRN (BLK) 3		8 YEL (BLK) 8			
	4 BLK (BLU) 4		12 BLK (ORG) 12			
	5 BLU (BLK) 5		13 ORG (BLK) 13			
	6 BRN (BLK) 6		14 RED (WHT) 14			
	7 RED (BLU) 7		16 WHT (RED) 16			
25 RED (BLU) 14	14 BLU (RED) 14		17 RED (GRN) 17			
GRN (RED) 15	15 RED (GRN) 15		18 GRN (RED) 18			
RED (WHT) 16	16 GRN (RED) 16		19 RED (BLU) 19			
WHT (RED) 17	17 RED (WHT) 17		20 BLU (RED) 20			
PIRTAX... 18	18 WHT (RED) 18		21 RED (YEL) 21			
34 BLACK	21 RED (YEL) 21		YEL (RED)			
9 BROWN	22 YEL (RED) 22		RED (BRN)			
41 RED	23 RED (BRN) 23		BRN (RED)			
NC ORANGE	24 BRN (RED) 24		RED (ORG)			
10 YELLOW	RED (ORG)		ORG (RED)			
27 GREEN	ORG (RED)		GRN (WHT)			
11 BLUE	GRN (WHT)		WHT (GRN)			
47 VIOLET	WHT (GRN)		GRN (BLU)			
48 GREY	GRN (BLU)		BLU (GRN)			
46 WHITE	BLU (GRN)					

LEGEND

+	DENOTES PIN CONNECTION
⊕	DENOTES SPLICE

NOTE 2: REFER TO BOM #70D033-B FOR PARTS.

REV	DESCRIPTION
000	CHANGED CONNECTORS B AND D TO RIGHT ANGLE FOR LOW PROFILE
8-87	DRG# 20-0025-00A WAS FILED UNDER 001. SOME COLOR INFO MOVED FOR CLARITY. TWO PAIR CABLE WAS THREE PAIR.
9-28-88	CONN A PIN 24 WAS 13. PIN 14 WAS 30. PIN 18 WAS 28. PIN 2 & 19 ADDED. SHIELDS ADDED, UNUSED PAIR INFO ADDED.
1/4/90	ADDED PLAY TALLY; CHANGED DRG. # 20-0025-00A



(C) 1989 TIMELINE, INC. 270 Lafayette St. New York, N.Y. 10012		APP'D
CABLE ASSEMBLY SONY/MCI JH-110		CHK'D
CONFIDENTIAL	DATE	1/4/90
DWG	REV	PAGE
70D033-10	B	1
	SIZE	C