

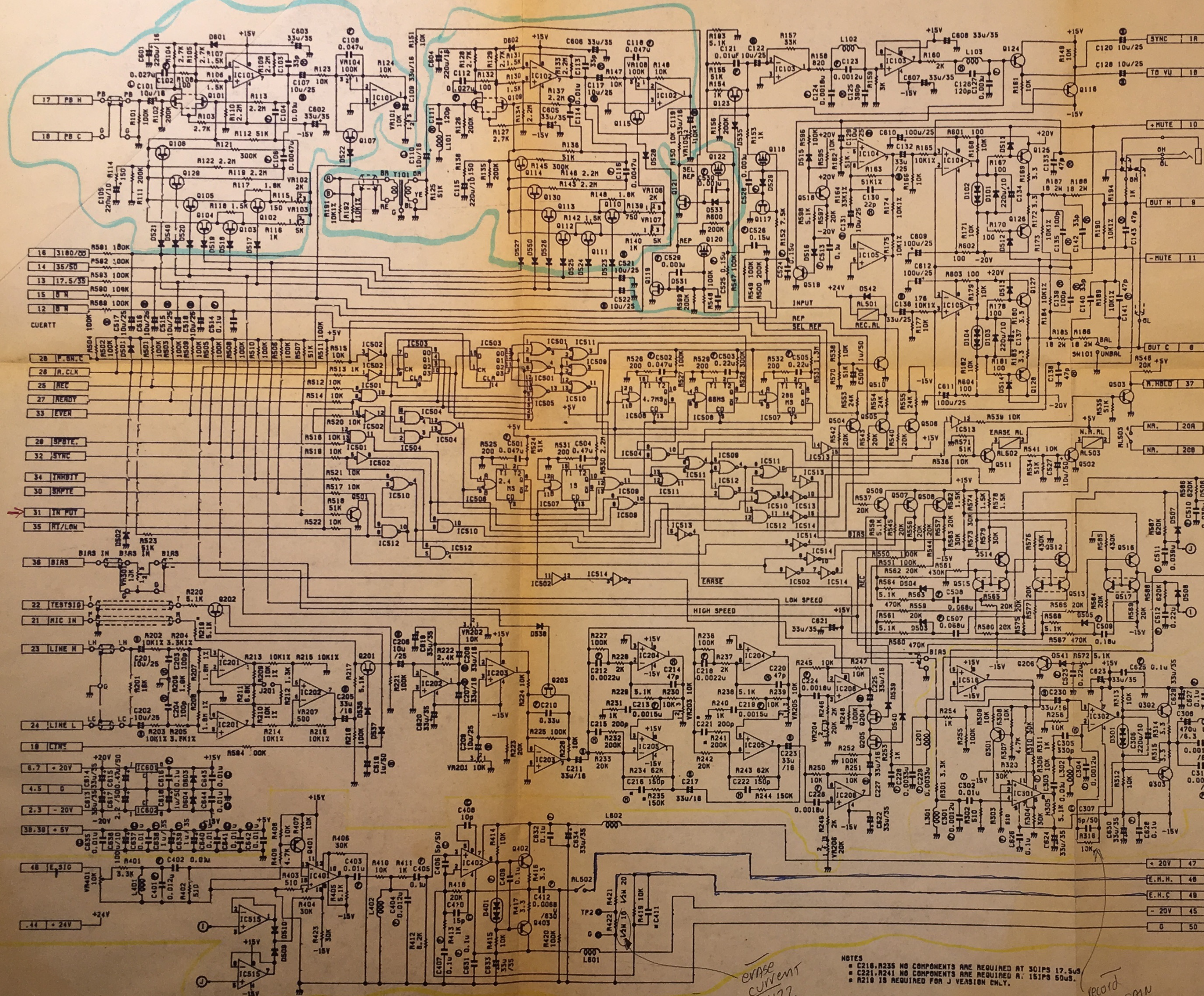
Reference Number	Description	QTY/PART NUMBER
IC10, P2	MC44890	1MC44890
IC4	LM318N	1LM318N
IC19	MC14018CP	1MC14018
IC15	MC14018CP	1MC14018
IC13	MC14018CP	1MC14018
IC11	MC14018CP	1MC14018
IC1	MC14018CP	1MC14018
IC7	MC14018CP	1MC14018
IC8, 18	MC14018CP	1MC14018
IC17	MC14018CP	1MC14018
IC14, 20	MC14018CP	1MC14018
IC16	MC14018CP	1MC14018
IC6	MC14018CP	1MC14018
IC9	74C00	174C00
Q1, 6, 7, 8, 10, 15, 20, 21	2N3904	20N3904
Q4, 9, 11, 23	2N3904	3N3904
Q5, 12	2N3904	2N3904
Q20, 21	2N3904	2N3904
Q24	2N3904	1N3904
Q22	2N3904	1N3904
Q1, 2, 14, 20	2N3904	2N3904
Q15, 16	2N3904	2N3904
Q12, 17	2N3904	2N3904
Q18	2N3904	1N3904
Q15	2N3904	1N3904
D20-23, 27, 28	1N4148	1N4148
D1	1N4148	1N4148
D9, 10	1N4148	1N4148
D2-8, 11, 13, 14, 16, 17, 18, 19, 24, 25, 26, 29, 30	1N4148	1N4148
D17, 18	1N4148	1N4148
IC2, 3, 12, 21	74C00	174C00
IC5	74C00	174C00
Q18-JT	74C00	174C00

图号	生产图	取图图	图号
1-937	3-7074	3-7017	A
	3-7326	3-7327	B
	3-7972	3-7973	F

\* C18 TO BE ADJUSTED  
 \* R120 NO COMPONENTS ARE REQUIRED  
 \* C65 REQUIRED

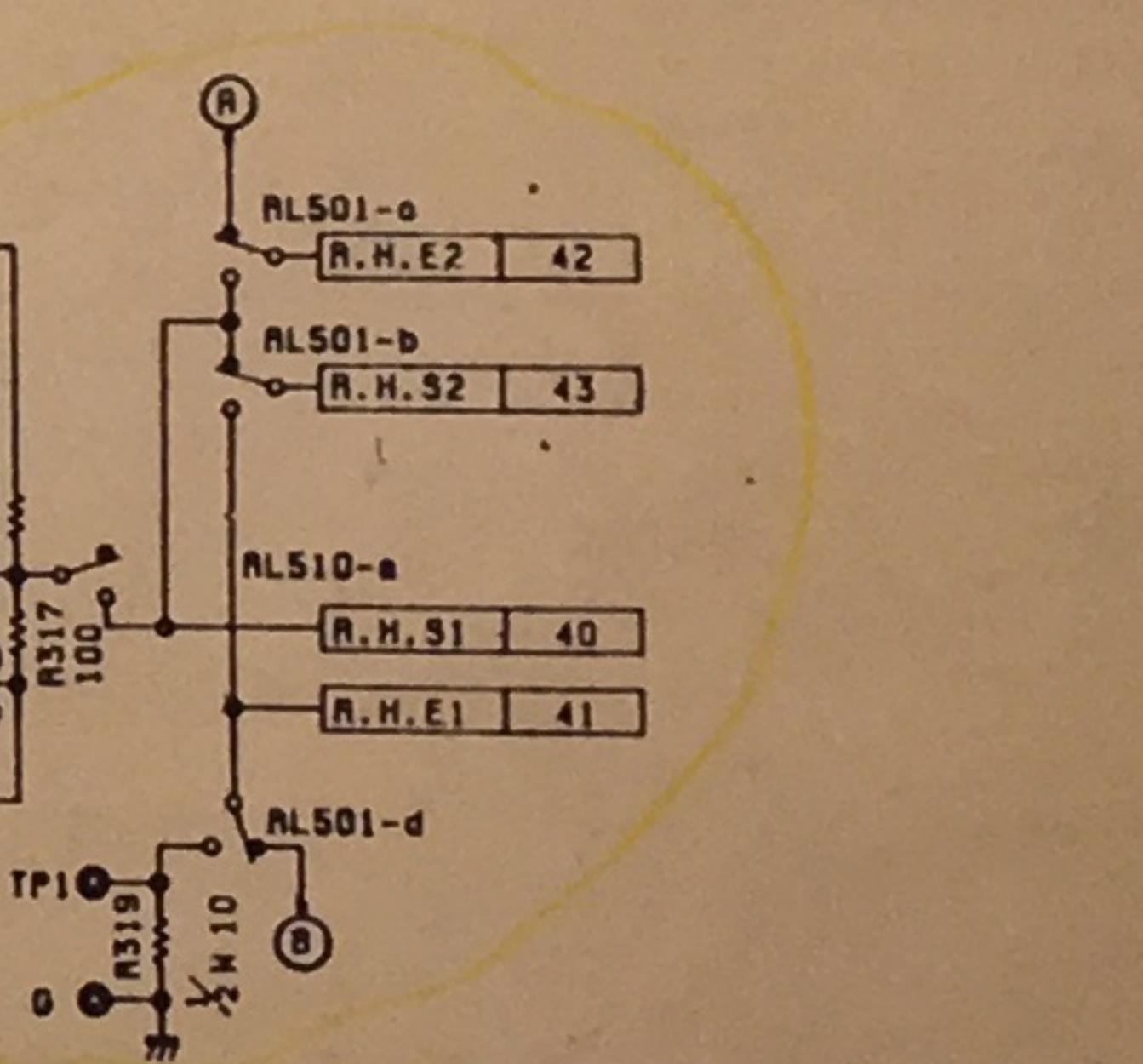
NOTES: UNLESS OTHERWISE SPECIFIED  
 1. RESISTANCE VALUES ARE IN OHMS,  $\Omega$  W.  $\Omega$ .  
 2. CAPACITANCE VALUES ARE IN FARADS, F.  
 3. CAPACITOR SYMBOL MARKS ARE AS FOLLOWS:  
 (A) ALUMINUM ELECTROLYTIC CAPACITOR  
 (B) BIPOLAR ALUMINUM ELECTROLYTIC CAPACITOR  
 (C) MYLAR PSM CAPACITOR (25% 50V)  
 (D) POLYETHYLENE TEREPHTHALATE CAPACITOR (25% 50V)  
 (E) CERAMIC CAPACITOR  
 (F) MICA CAPACITOR (25%)  
 (G) TANTALUM ELECTROLYTIC CAPACITOR  
 (H) POLYPROPYLENE FILM CAPACITOR (1% 50V)  
 (I) LOW LEAKAGE CURRENT ELECTROLYTIC CAPACITOR  
 (J) METALLIZED PAPER CAPACITOR (25% 50V)  
 (K) SPARK ARRESTER  
 (L) SAFETY COMPONENT - REPLACE ONLY WITH THE SPECIFIED COMPONENT FOR SAFETY REASONS.

DRAWN	DESIGNED	CHECKED	APPROVED
<b>OTARI</b> Otari Electric Co. Ltd.			
NAME: CAPSIAN CONTROL			
PART No: PB 45V 0A			
DWG No:			
REV No	DATE	DNW	APP



REFERENCE NUMBER	Q/TARI PART NUMBER	DESCRIPTION
IC 101-5.201-6	I-0017	NJM45600-K
301.401	I-0023	LM13600N
302	IL0318M	LM1310N
402	I-0004	NE5314N
501.508	IMC14001	MC14001BCP
502	IMC14008	MC14008BCP
503	IMC14015	MC14015BCP
504.511-2	IMC14011	MC14011BCP
505	IMC14078	MC14078BCP
506-8	IMC14538	MC14538BCP
510	IMC14081	MC14081BCP
513-4	IMC14504	MC14504BCP
515-6	TL082CP	TL082CP
601	I-0024.26	uA7815.M15UC
602	I-0025.27	uA7815.M15UC
Q 101.108	Q2K146BL	2SK146BL
102-7.110-5	123.128.130	Q5K362BL
123.128.130	202.204-5	Q5K362BL
117.118.121	201.203	Q2S104V
116.301.401	504-8.512.514	Q2S104V
518.518	118.120.122	Q2S333B
124.501-3.510	511	QC1815BL
125.127	126.128	QC2344E
206.518	302	QC2878
303	402	QC1384D
403	513.515.517	QC2291G
D 101.103.501-41	548.550	PN-0188
102.104.301.401	542.601-4	PNV01222
542.601-4		PNM1-02
L 101-3.201.601-2	301-3.401-2	IN18072
		IN18071
T 101		TF21019A

FUNCTION OF POTENTIOMETERS	
VR101	REP. LEVEL
VR102	REP. EQ HIGH SPEED
VR103	REP. EQ LOW SPEED
VR104	REP. LOW FREQ. COMP.
VR105	SEL. REP. LEVEL
VR106	SEL. REP. EQ HIGH SPEED
VR107	SEL. REP. EQ LOW SPEED
VR108	SEL. REP. LOW FREQ. COMP.
VR201	REC LEVEL
VR202	REC MONI. LEVEL
VR203	REC HIGH COMP. HIGH SPEED
VR204	REC PHASE COMP. HIGH SPEED
VR205	REC HIGH COMP. LOW SPEED
VR206	REC PHASE COMP. LOW SPEED
VR207	REC CHRG. ADJ.
VR301	BIAS LEVEL
VR401	ERASE



TEST POINT	
TP1	BIAS CURRENT
TP2	ERASE
J201	OPEN: NORMAL SHORT: WITH OPTIONAL INPUT TRANSFORMER
SM101	BAL: BALANCED OUTPUT UNBAL: UNBALANCED OUTPUT

REFERENCE DESIGNATIONS			
LAST USED	NOT USED	LAST USED	NOT USED
IC105	Q208	RL503	RL604
Q130	L201	C310	IC518
Q104	VR207	IC402	Q519
L103	R256	Q403	Q550
T101	C230	Q401	RL600
VR108	IC302	L402	C530
RL84	Q303	VR401	IC602
C143	D301	R423	Q604
IC208	VR301	C412	L602
			C411
			Q108
			D530
			D532
			D534
			D546
			D544
			D545
			D548
			R120
			R144
			R522
			C520

- NOTES: UNLESS OTHERWISE SPECIFIED
- RESISTANCE VALUES ARE IN OHMS, % M, % S, % K, % M, % G.
  - CAPACITANCE VALUES ARE IN FARADS, % S, % M, % K, % M, % G.
  - CAPACITOR SYMBOL MARKS ARE AS FOLLOWS:
    - ALUMINUM ELECTROLYTIC CAPACITOR
    - POLYMER ALUMINUM ELECTROLYTIC CAPACITOR
    - POLYMER FILM CAPACITOR (25, 50V)
    - POLYSTYRENE FILM CAPACITOR (25, 50V)
    - CERAMIC CAPACITOR
    - MICA CAPACITOR (25)
  - TANTALUM ELECTROLYTIC CAPACITOR
  - POLYPROPYLENE FILM CAPACITOR (25)
  - LOW LEAKAGE CURRENT ELECTROLYTIC CAPACITOR
  - METALLIZED PAPER CAPACITOR (10X)
  - W SPARK MILLER
  - SAFETY COMPONENT: REPLACE ONLY WITH THE SPECIFIED COMPONENT FOR SAFETY REASON

NOTES

- C216, R235 NO COMPONENTS ARE REQUIRED AT 30IPS 17.5US
- C221, R241 NO COMPONENTS ARE REQUIRED AT 15IPS 60US.
- R218 IS REQUIRED FOR J VERSION ONLY.

200101R JK  
NOTE FOR 2" 8mm Custom  
Assy (m) for MORE ERASE  
CURRENT / RECORD LEVEL

Record R316  
Record R318 10K changes to 20K

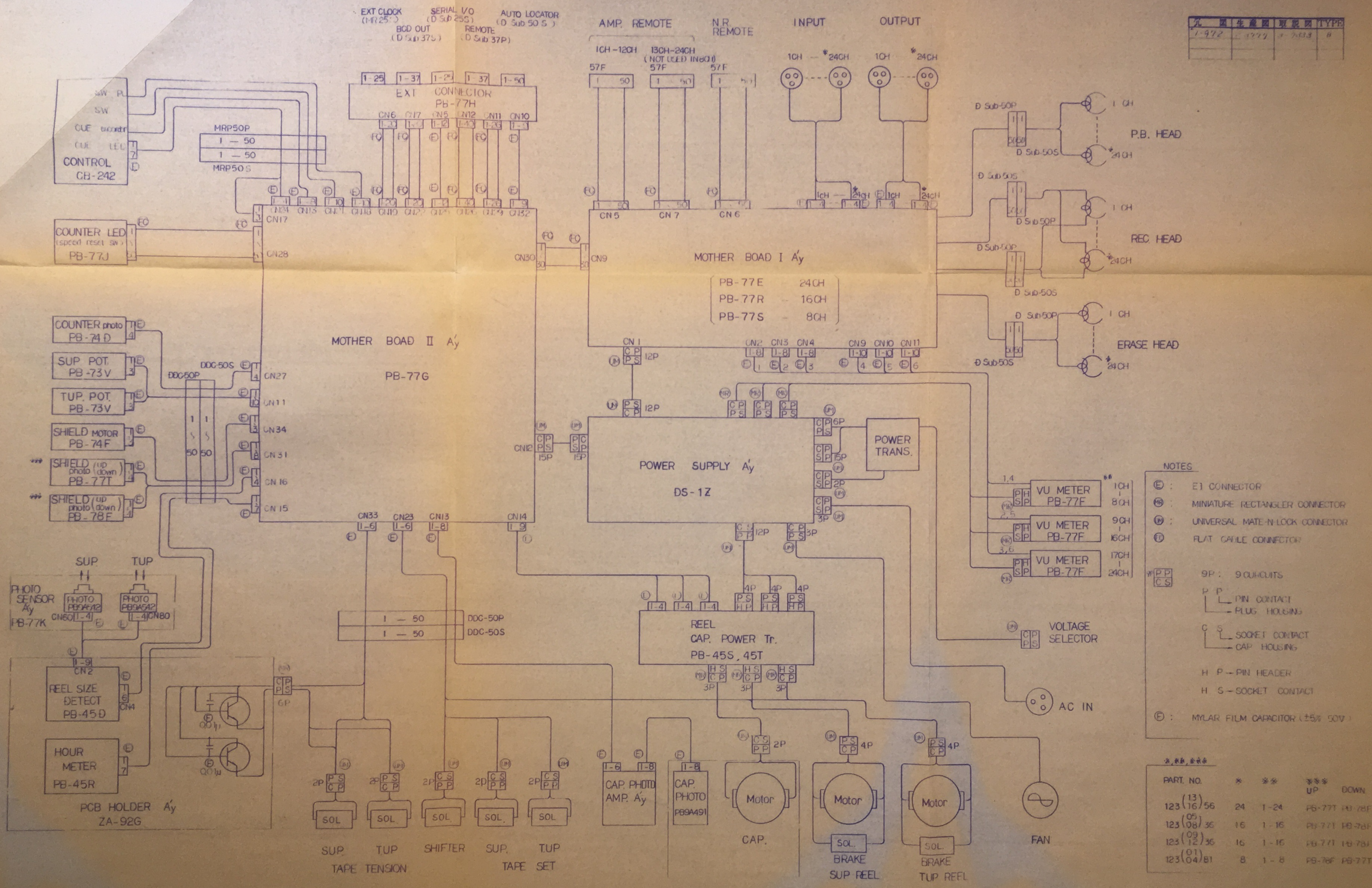
NAME REC. & REPRO AMP.  
P.C.B. ASS'Y

PART NO. PB16K0A

LOT

DWG. NO. 3-8445

1977	1777	1773	0
------	------	------	---



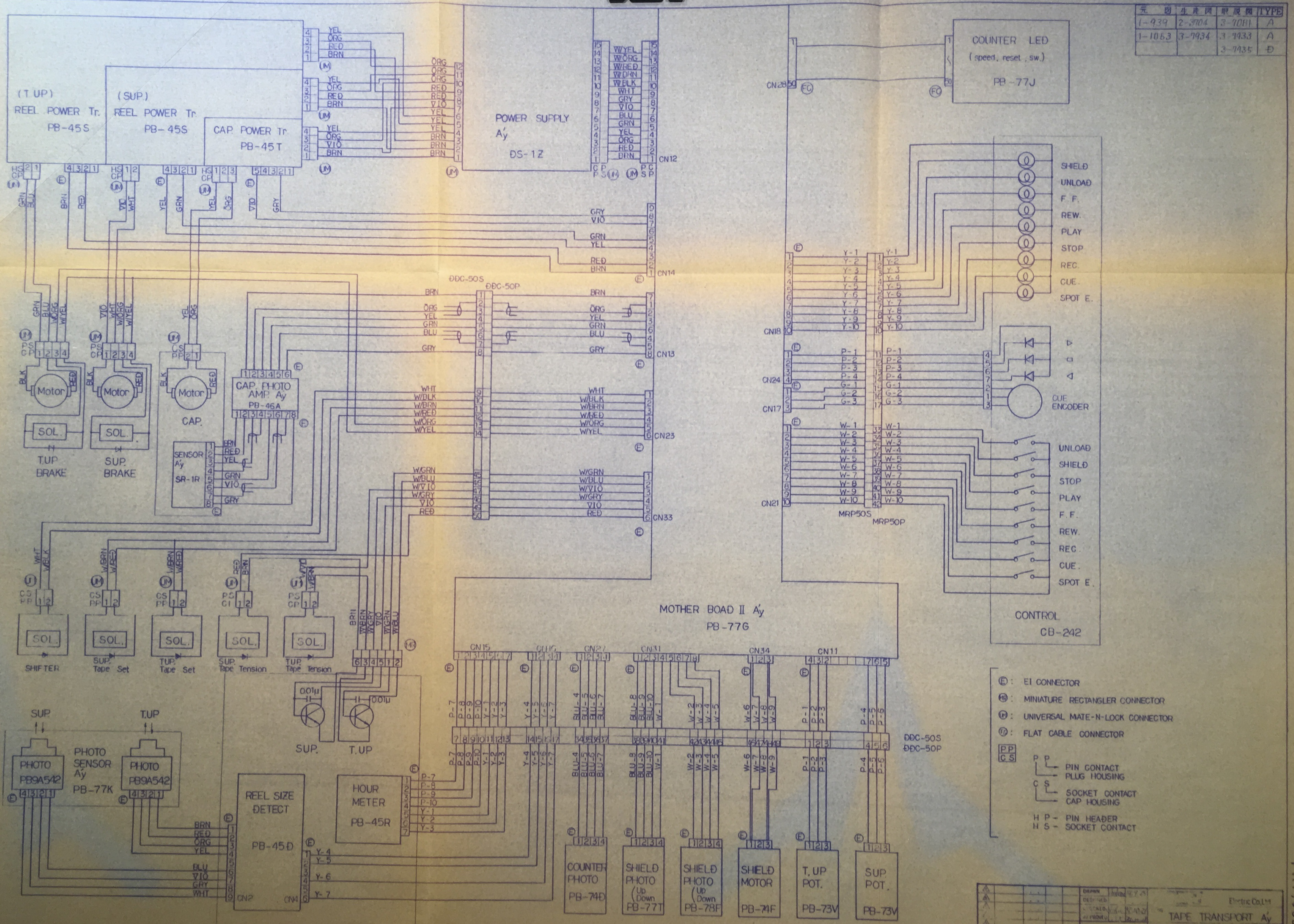
- NOTES
- ⓔ : E1 CONNECTOR
  - Ⓜ : MINIATURE RECTANGLE CONNECTOR
  - Ⓟ : UNIVERSAL MATE-N-LOCK CONNECTOR
  - Ⓢ : FLAT GAUGE CONNECTOR
  - 9P : 9 CIRCUITS
  - P P : PIN CONTACT
  - : PLUG HOUSING
  - C S : SOCKET CONTACT
  - : CAP HOUSING
  - H P : PIN HEADER
  - H S : SOCKET CONTACT
  - ⓔ : MYLAR FILM CAPACITOR (±5% 50V)

\*\*\*, \*\*\*\*

PART. NO.	*	**	***	****
123 <sup>(13)</sup> 56	24	1-24	PB-77T	PH-78F
123 <sup>(08)</sup> 36	16	1-16	PB-77T	PH-78F
123 <sup>(09)</sup> 36	16	1-16	PB-77T	PH-78F
123 <sup>(01)</sup> 81	8	1-8	PB-78F	PB-77T

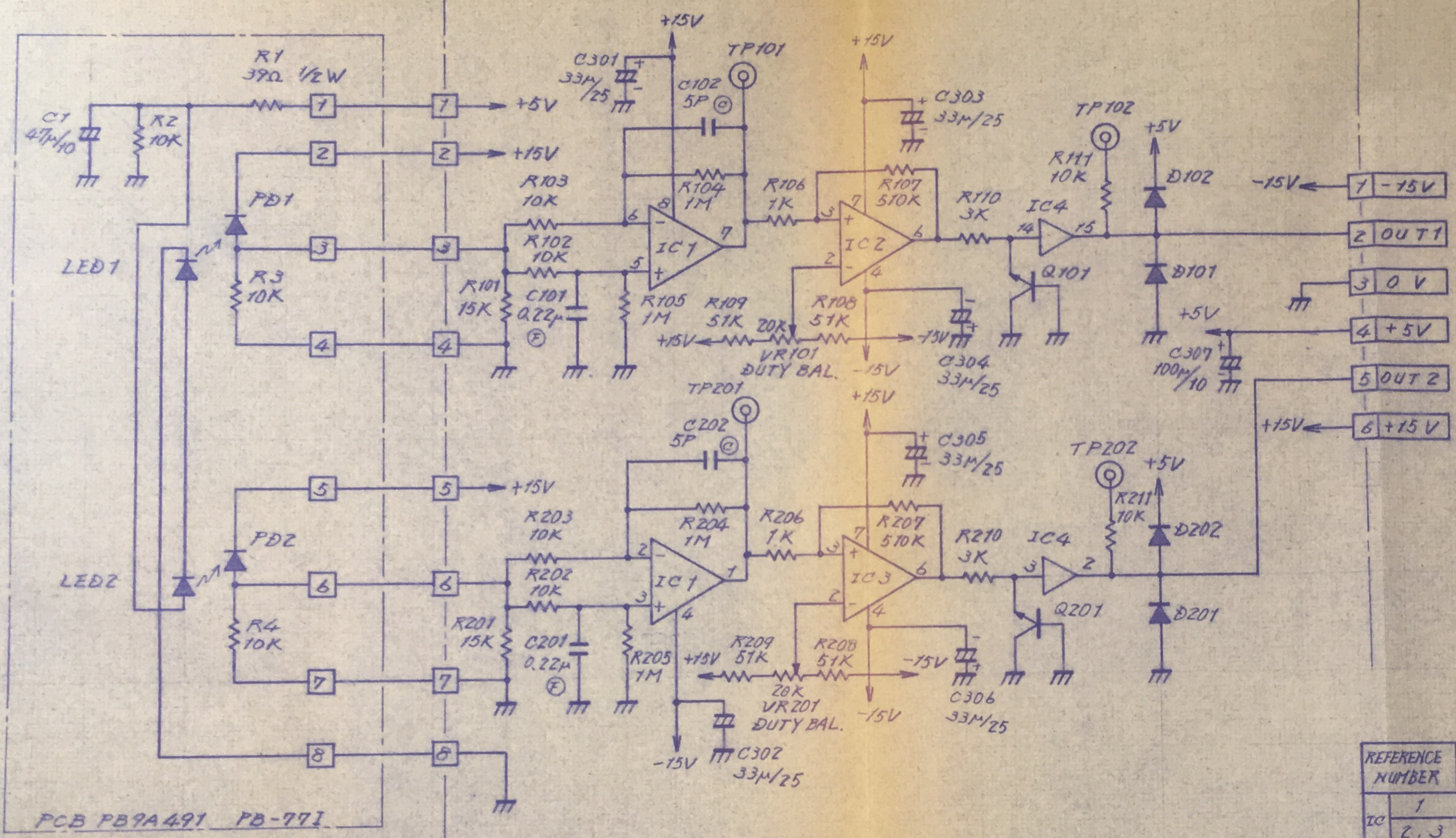
DRAWN	DESIGNED	CHK'D	APPROVED	DATE	BY
Otan Electric Co., Ltd.				Name	
				PART No.	
				Dwg No.	

元	圖	生	成	圖	版	TYPE
1-939	2-3704	3-7011				A
1-1063	3-7934	3-7933				A
		3-7935				D



- ⓔ: EI CONNECTOR
- Ⓜ: MINIATURE RECTANGLER CONNECTOR
- Ⓢ: UNIVERSAL MATE-N-LOCK CONNECTOR
- Ⓣ: FLAT CABLE CONNECTOR
- PP: PIN CONTACT
- CS: PLUG HOUSING
- CS: SOCKET CONTACT
- CS: CAP HOUSING
- HP: PIN HEADER
- HS: SOCKET CONTACT

REV. No.	DATE	OWN	APP	Drawn	Checked	Approved	Electric Co., Ltd.
							TAPE TRANSPORT Ay
							1977.04



元	図	生産	取説	TYPE
3-7051	4-30792	4-30791	A	
		4-31239	B	

PCB PB9A492

IC4 { PIN 7 VCC +15V  
PIN 16 VDD +5V  
PIN 13 MODE 0V  
PIN 8 VSS 0V

REFERENCE NUMBER	OTARI PART NUMBER	DESCRIPTION
IC 1	I-0019	NE5532N
IC 2,3	ILM 318N	LM 318N
IC 4	IMC 14504	MC 14504 DCF
Q 101, 201	QC 2878	ZSC 2878
D 101, 102, 201, 202	PNIS 1588	IS 1588
LED 1, 2	PNLN 66	LN 65
PD 1, 2	PNBPW 34	BPW 34

NOTES : UNLESS OTHERWISE SPECIFIED

- RESISTANCE VALUES ARE IN OHMS, 1/2W, 5%.
- CAPACITANCE VALUES ARE IN FARADS, 50V.
- CAPACITOR SYMBOL MARKS ARE AS FOLLOWS.
  - ⊖ : ALUMINUM ELECTROLYTIC CAPACITOR.
  - ⊕ : BIPOLAR ALUMINUM ELECTROLYTIC CAPACITOR.
  - Ⓢ : MYLAR FILM CAPACITOR(±5%, 50V)
  - Ⓣ : POLYSTYRENE FILM CAPACITOR(±5%, 50V)
  - ⓐ : CERAMIC CAPACITOR.
  - Ⓜ : MICA CAPACITOR(±5%)

- Ⓣ : TANTALUM ELECTROLYTIC CAPACITOR.
- Ⓟ : POLYPROPYLENE FILM CAPACITOR(±5%)
- Ⓛ : LOW LEAKAGE CURRENT ELECTROLYTIC CAPACITOR.
- Ⓜ : METALLIZED PAPER CAPACITOR(±10%)
- Ⓢ : SPARK KILLER.
- Ⓢ : SAFETY COMPONENT : REPLACE ONLY WITH THE SPECIFIED COMPONENT FOR SAFETY REASON.

△					DRAWN	51.11.9
△					DESIGNED	21.21
△					CHECKED	
△					APPROVED	
△					MATERIAL	
△					材料	
△					FINISH	
△					処理	
MRN	REV. NO.	DATE	DWN	APP		

**OTARI** Otari Electric Co., Ltd.

NAME **TACHO SENSOR AMP. PCB**

品名

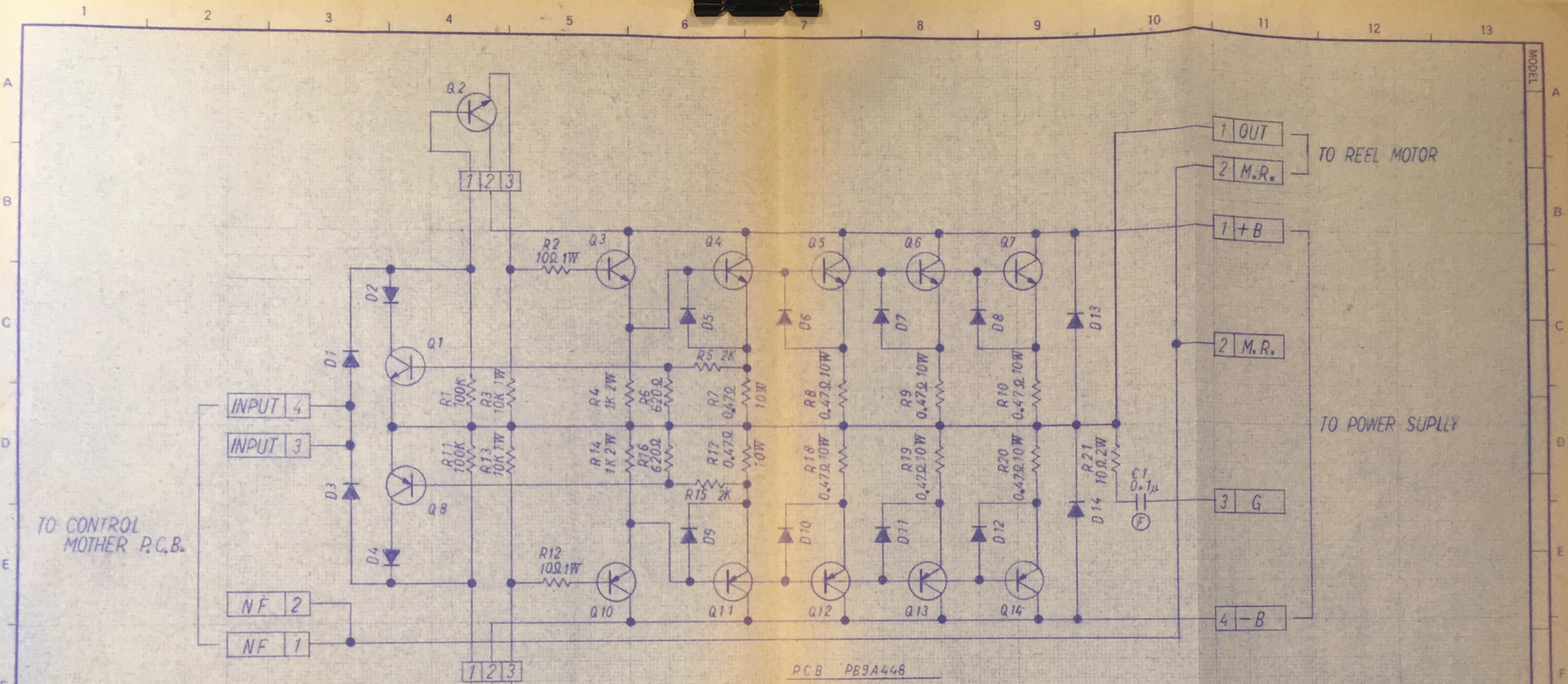
PART NO. **PB46A0A**

品番

SCALE / DIMENSION mm SHEET OF

THIRD ANGLE PROJECTION

DWG NO. 3.7051



TO CONTROL MOTHER P.C.B.

PCB PB9A448

零件	生	生	取	取	TYPE
3-7053	4-30795	4-30796			A

REFERENCE NUMBER	OTARI PART NUMBER	DESCRIPTION
Q 1	QC2824Y	2SC2824Y
2	QD970K	2SD970K
3~7	QD552BN	2SD552BN
8	QA1184Y	2SA1184Y
9	QB791K	2SA791K
10~14	QB552RN	2SB552RN
D 1~4	PN1N4448	1N4448
5~12	PNG3J	G3J
13	PN6FD13	6FD13
14	PN6FC13	6FC13

NOTES : UNLESS OTHERWISE SPECIFIED

- RESISTANCE VALUES ARE IN OHMS,  $\frac{1}{2}$ W, 5%.
- CAPACITANCE VALUES ARE IN FARADS, 50V.
- CAPACITOR SYMBOL MARKS ARE AS FOLLOWS.
  - ⊖: ALUMINUM ELECTROLYTIC CAPACITOR.
  - ⊕: BIPOLAR ALUMINUM ELECTROLYTIC CAPACITOR.
  - ⊖: MYLAR FILM CAPACITOR (±5%, 50V)
  - ⊖: POLYSTYRENE FILM CAPACITOR (±5%, 50V)
  - ⊖: CERAMIC CAPACITOR.
  - ⊖: MICA CAPACITOR (±5%)

- ⊖: TANTALUM ELECTROLYTIC CAPACITOR.
- ⊖: POLYPROPYLENE FILM CAPACITOR (±5%)
- ⊖: LOW LEAKAGE CURRENT ELECTROLYTIC CAPACITOR.
- ⊖: METALLIZED PAPER CAPACITOR (±10%)
- ⊖: SPARK KILLER.
- ⊖: SAFETY COMPONENT ; REPLACE ONLY WITH THE SPECIFIED COMPONENT FOR SAFETY REASON.

MRK	REV. No.	DATE	DWN	APP

DRAWN  
DESIGNED  
CHECKED  
APPROVED

**OTARI** Otari Electric Co., Ltd.

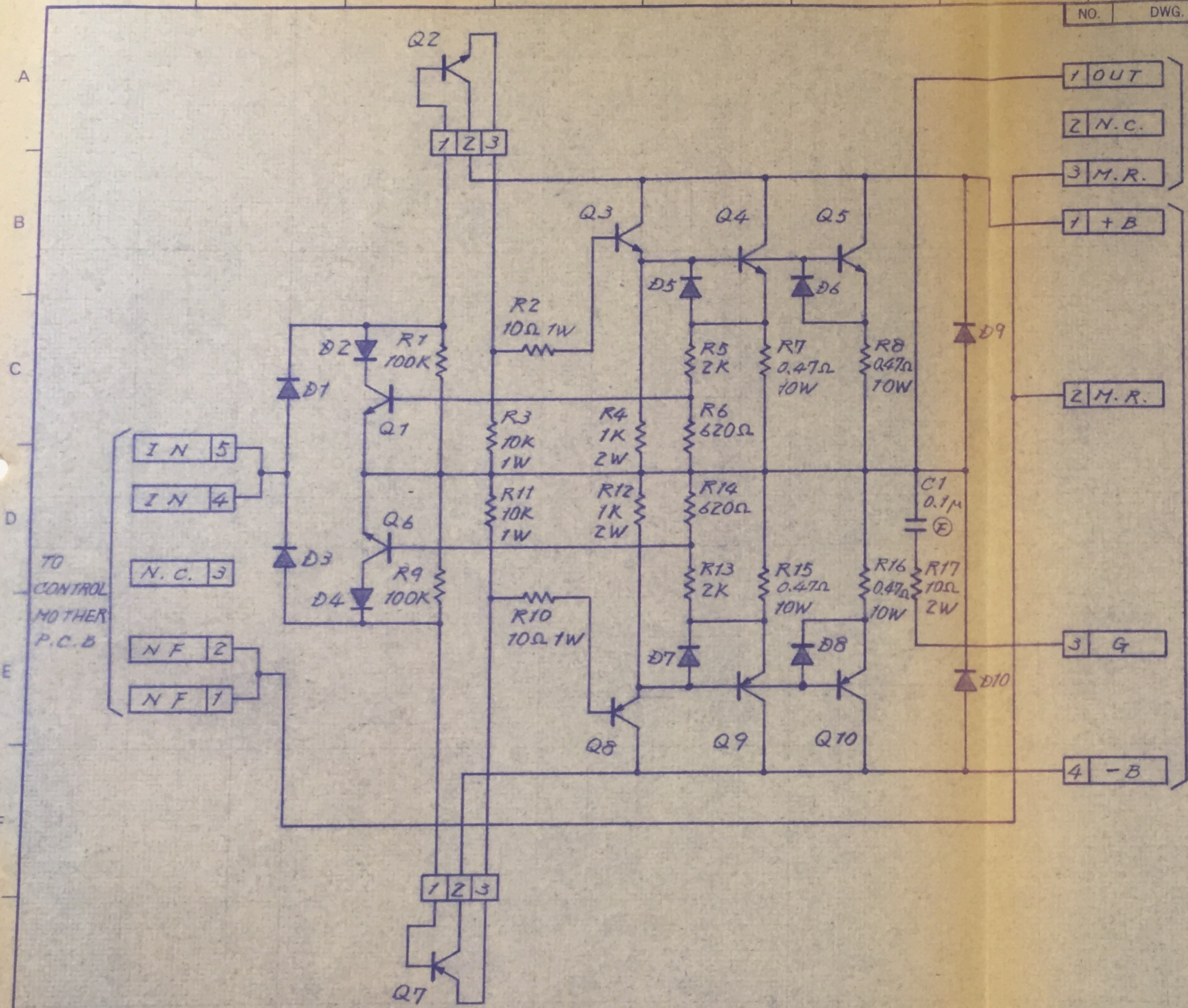
NAME: REEL M.D.A. Assy

PART No.: PB-45S 0A

DWG No.:

MODEL A  
B  
C  
D  
E  
F  
H  
J  
K  
DWG No. 3-7053

NO.	DWG. NO.	PART NO.	DESCRIPTION	QTY	REMARKS
-----	----------	----------	-------------	-----	---------



REFERENCE NUMBER	OTARI PART NUMBER	DESCRIPTION
1	QC2824Y	2SC2824Y
2	QD970K	2SD970K
3 ~ 5	QD552BN	2SD552BN
6	QA1184Y	2SA1184Y
7	QB791K	2SA791K
8 ~ 10	QB552BN	2SB552BN
1 ~ 4	PN1N444B	1N444B
5 ~ 8	PNG3J	G3J
D9	PN6FD13	6FD13
D10	PN6FC13	6FC13

元	図	生産	取説	TYPE
3-7052	4-30793	4-30794	A	

*OTARI VERSION!*

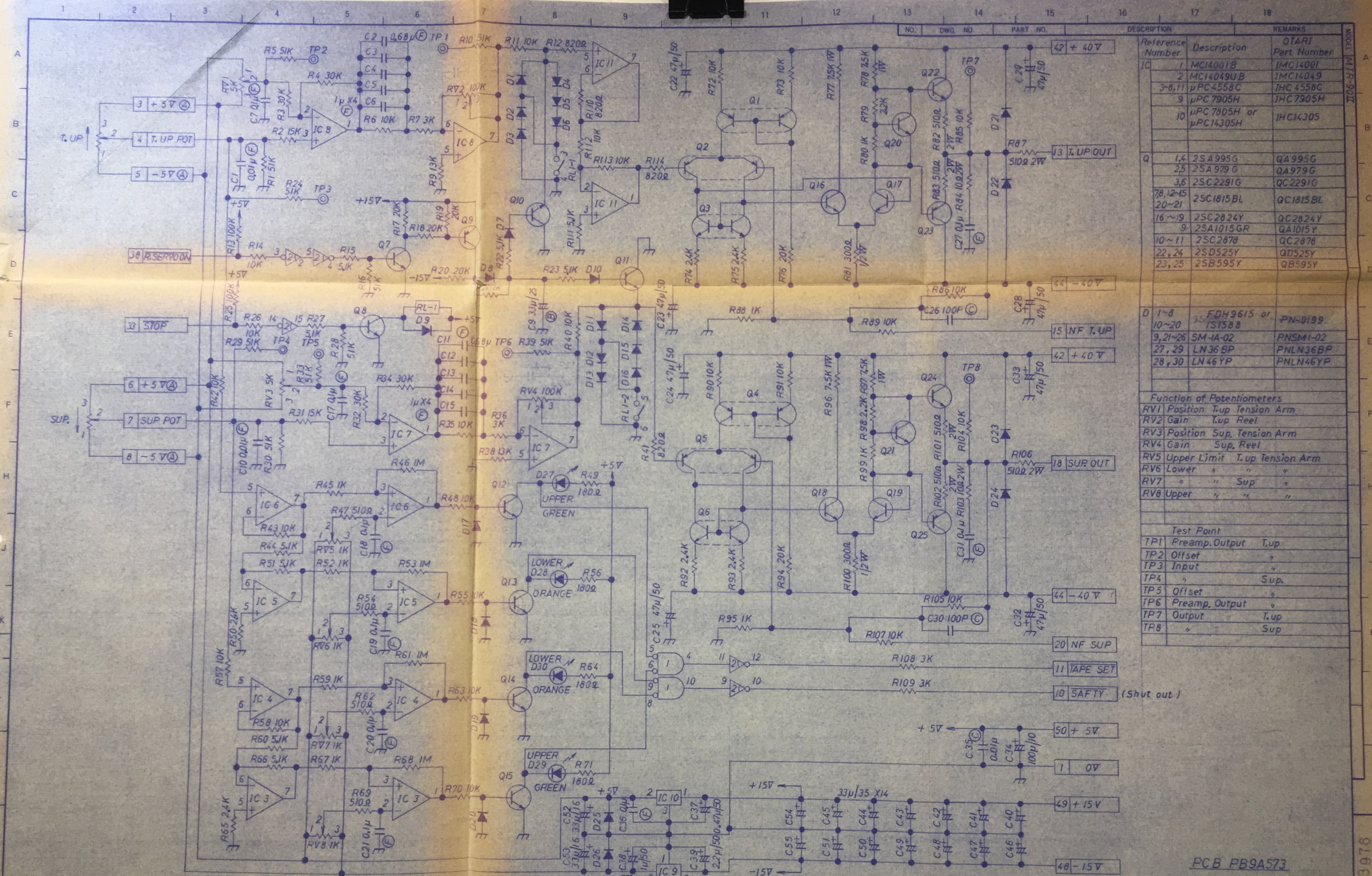
NOTES : UNLESS OTHERWISE SPECIFIED

- RESISTANCE VALUES ARE IN OHMS, 1/4W, 5%.
- CAPACITANCE VALUES ARE IN FARADS, 50V.
- CAPACITOR SYMBOL MARKS ARE AS FOLLOWS.
  - ⊖ : ALUMINUM ELECTROLYTIC CAPACITOR.
  - ⓑ : BIPOLAR ALUMINUM ELECTROLYTIC CAPACITOR.
  - ⓕ : MYLAR FILM CAPACITOR(±5% ; 50V)
  - Ⓢ : POLYSTYRENE FILM CAPACITOR(±5% , 50V)
  - ⓐ : CERAMIC CAPACITOR.
  - Ⓜ : MICA CAPACITOR(±5%)

- Ⓣ : TANTALUM ELECTROLYTIC CAPACITOR.
- Ⓟ : POLYPROPYLENE FILM CAPACITOR(±5%)
- Ⓛ : LOW LEAKAGE CURRENT ELECTROLYTIC CAPACITOR.
- Ⓞ : METALLIZED PAPER CAPACITOR(±10%)
- Ⓢ : SPARK KILLER.
- ⚠ : SAFETY COMPONENT : REPLACE ONLY WITH THE SPECIFIED COMPONENT FOR SAFETY REASON.

△				DRAWN	9.11.7	<b>OTARI</b> Otari Electric Co., Ltd.
△				DESIGNED	9.11.7	
△				CHECKED		NAME
△				APPROVED		品名
△				MATERIAL		PART NO.
△				材料		品番
△				FINISH		SCALE
△				処理		DIMENSION
MRN	REV. NO.	DATE	DWN	APP		THIRD ANGLE PROJECTION
						SHEET
						OF

DWG NO. 3 7052



Reference Number	Description	OTARI Part Number
1	MC14001B	IMC14001
2	MC14049UB	IMC14049
3-8, 11	μPC4558C	IHC4558C
9	μPC7905H	IHC7905H
10	μPC7805H or μPC14305H	IHC14305
1,4	2SA995G	QA995G
2,5	2SA979G	QA979G
3,6	2SC2291G	QC2291G
7,8,12-15	2SC1815BL	QC1815BL
16-19	2SC2824Y	QC2824Y
9	2SA1015GR	QA1015Y
10-11	2SC2878	QC2878
22,24	2SD525Y	QD525Y
23,25	2SB595Y	QB595Y
1-8	FDH9615 or PN-0199	PN-0199
10-20	IS1588	PN-0199
9,21-26	SM-1A-02	PNSM1-02
27,29	LN36BP	PNLN36BP
28,30	LN46YP	PNLN46YP

**Function of Potentiometers**

- RV1 Position T.up Tension Arm
- RV2 Gain T.up Reel
- RV3 Position Sup. Tension Arm
- RV4 Gain Sup. Reel
- RV5 Upper Limit T.up Tension Arm
- RV6 Lower " " "
- RV7 " " Sup. "
- RV8 Upper " " "

**Test Point**

Test Point	Description
TP1	Preamp. Output T.up
TP2	Offset " "
TP3	Input " "
TP4	" Sup.
TP5	Offset " "
TP6	Preamp. Output " "
TP7	Output T.up
TP8	" Sup

**NOTES : UNLESS OTHERWISE SPECIFIED**

- RESISTANCE VALUES ARE IN OHMS, ±W, 5%.
- CAPACITANCE VALUES ARE IN FARADS, 50V.
- CAPACITOR SYMBOL MARKS ARE AS FOLLOWS.
  - ⊕ : ALUMINUM ELECTROLYTIC CAPACITOR.
  - ⊖ : BIPOLAR ALUMINUM ELECTROLYTIC CAPACITOR.
  - ⊙ : MYLAR FILM CAPACITOR(±5%, 50V)
  - ⊚ : POLYSTYRENE FILM CAPACITOR(±5%, 50V)
  - ⊛ : CERAMIC CAPACITOR.
  - ⊜ : MICA CAPACITOR(±5%)
- TANTALUM ELECTROLYTIC CAPACITOR.
- POLYPROPYLENE FILM CAPACITOR(±5%)
- LOW LEAKAGE CURRENT ELECTROLYTIC CAPACITOR.
- METALIZED PAPER CAPACITOR(±10%)
- SPARK KILLER.
- SAFETY COMPONENT : REPLACE ONLY WITH THE SPECIFIED COMPONENT FOR SAFETY REASON.

TYPE	3-7720	2-3977	2-3976
D			

DRAWN	DESIGNED	CHECKED	APPROVED	MATERIAL	FINISH	MRN	REV. NO.	DATE	DWN	APP

PCB PB9A573

**OTARI** Otari Electric Co., Ltd.

NAME: REEL CONTROL PCB Ass'y

PART NO: PB46Y&A

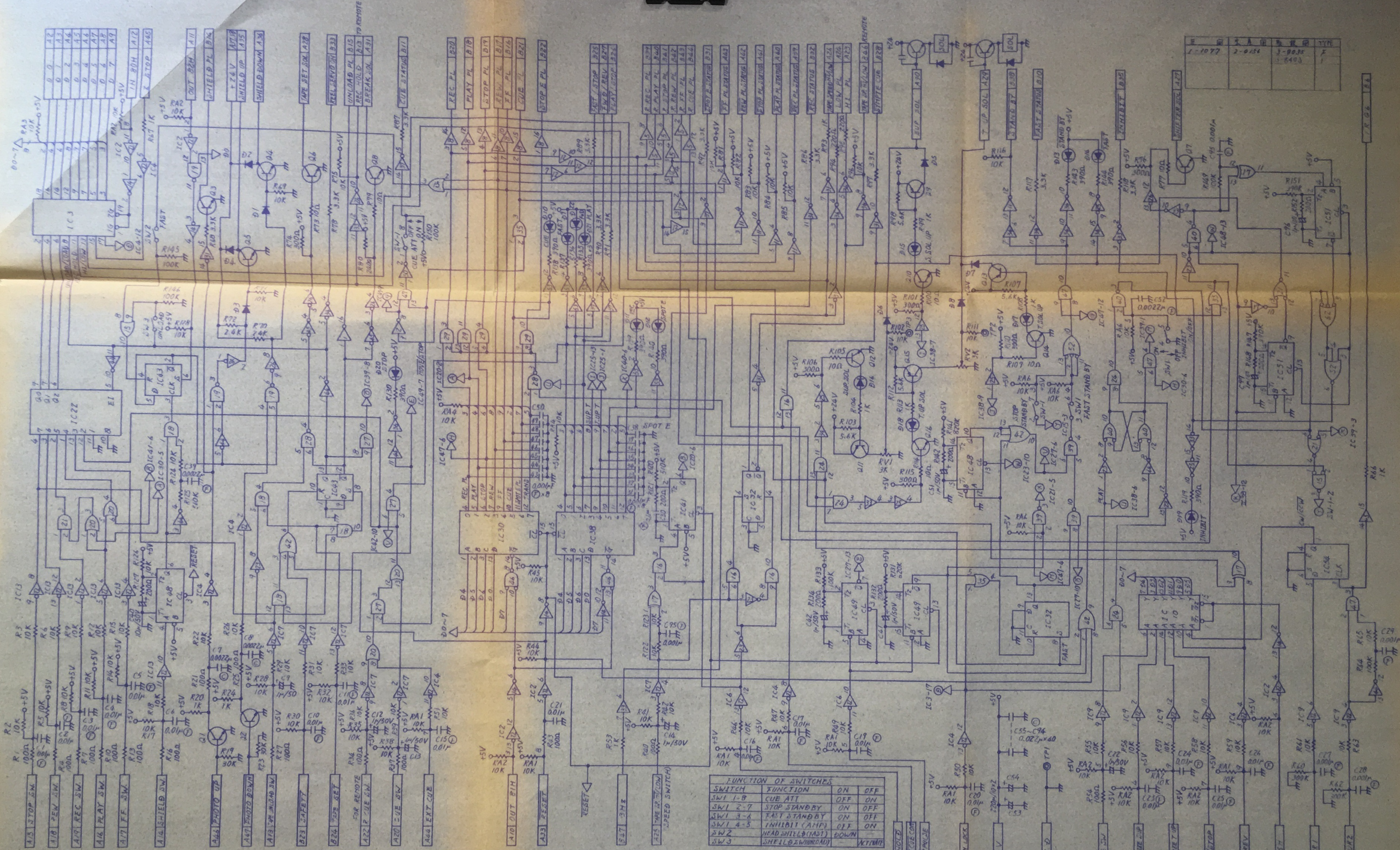
SCALE: DIMENSION THIRD ANGLE PROJECTION SHEET 1 OF 1

MODEL N/R-9011

2-3976

DWG. No.





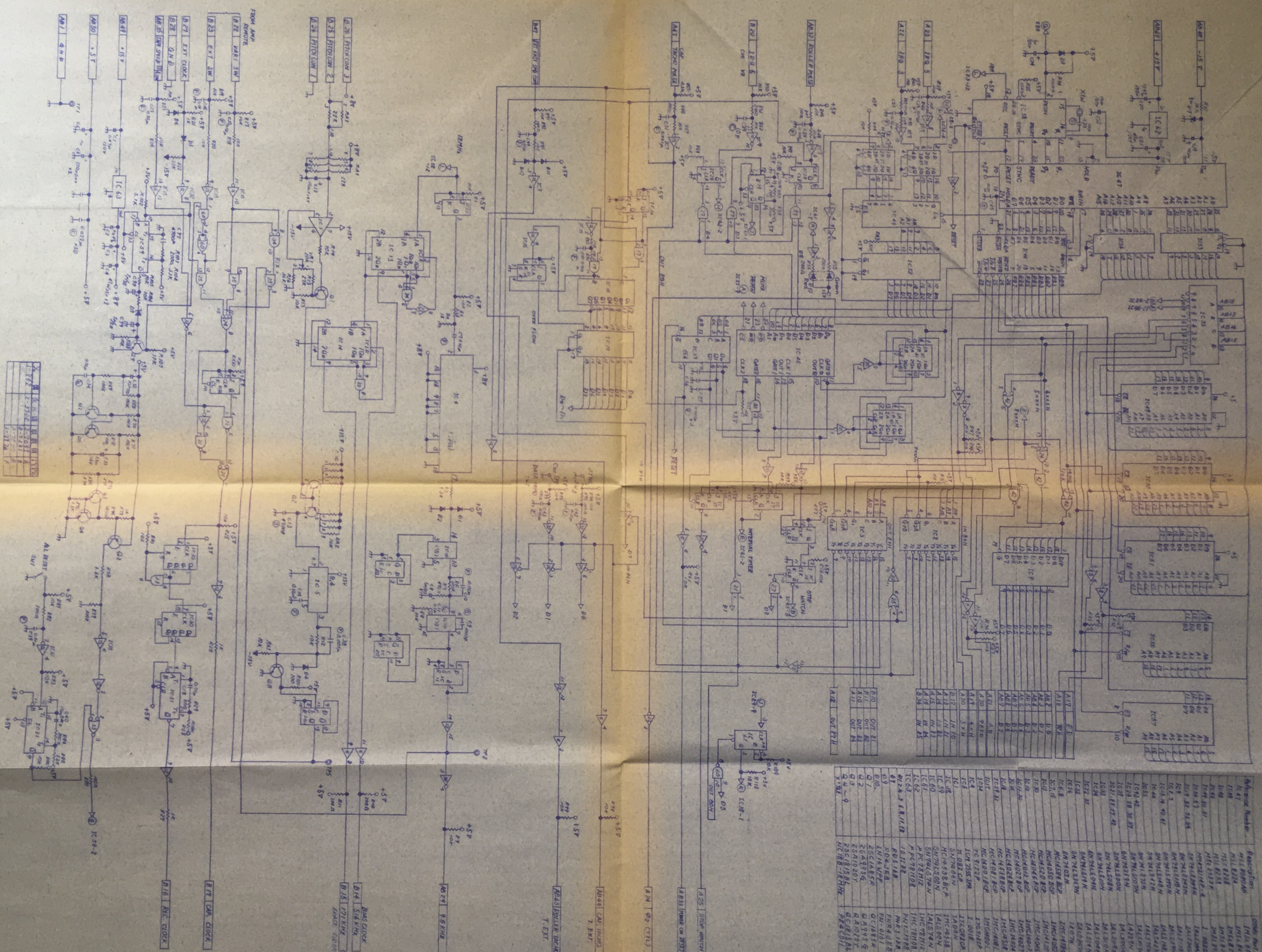
SWITCH	FUNCTION	ON	OFF
SW1 1-8	CUE ATT	ON	OFF
SW1 2-9	STOP STANDBY	ON	OFF
SW1 3-4	FAST STANDBY	ON	OFF
SW1 4-5	INHIBIT (AMP)	OFF	ON
SW2	HEAD SHIELD (HEAD)	DOWN	UP
SW3	SHIELD (SHIELD)	DOWN	UP

REF. NO.	OTARI PART NO.	DESCRIPTION	REF. NO.	OTARI PART NO.	DESCRIPTION	REF. NO.	OTARI PART NO.	DESCRIPTION	LED INDICATOR	TEST POINT	FUNCTION OF POTENTIOMETERS
1	1A2004C	MPA2004C	28, 39, 40	1IC14011	HC14011BCP	1, 2, 10, 12, 14, 16	QC1815BL	25C1815BL	9	FAST COM	RV1 SUP SOL VOLTAGE
2	1A1814N	SN741814N	30, 38	1A259N	SN74259N	3-7	QC1384D	28C1384D	10	CUE COM	RV2 TUP SOL VOLTAGE
3	1A18246N	SN7418246N	31, 37	1IC14049	HC14049UBCP	8	QC2655Y	28C2655Y	11	REC COM	Z1 TUP SOL VOLTAGE
4, 6, 7, 9, 13	1IC14584	HC14584BCP	32, 43, 54	1IC14013	HC14013BCP	9, 11, 13, 15	QA1020Y	28A1020Y	12	SPOT ERASE	Z2 TUP SOL VOLTAGE
5, 25	1A07N	SN7407N	41, 49, 49, 51	1IC14538	HC14538BCP				13	AMP STANDBY	
10	1A18367N	SN7418367N	42	1IC14075	HC14075BCP				14	FAST STANDBY	
11, 24, 34, 53	1A06N	SN7406N	44	1A1832N	SN741832N				15	SUP SOL UP	
12, 33, 34, 45	1IC14050	HC14050BCP	46	1A1830N	SN741830N				16	SUP SOL	
14	1A1804N	SN741804N	48	1A1800N	SN741800N				17	TUP SOL UP	
15, 20, 35	1IC14071	HC14071BCP	52	1IC14023	HC14023BCP				18	TUP SOL	
16, 18, 21, 26, 27, 28	1IC14081	HC14081BCP							19	AMP INHIBIT	
17	1IC14070	HC14070BCP							20	STOP	
22	1IC14532	HC14532BCP							21	PLAY COM	
23, 44, 50	1IC14049	HC14049UBCP							22	FWD COM	

NOTES: UNLESS OTHERWISE SPECIFIED  
 1 RESISTANCE VALUES ARE IN OHMS, 1 W, 5%  
 2 CAPACITANCE VALUES ARE IN FARADS, 50V  
 3 CAPACITOR SYMBOL MARKS ARE AS FOLLOWS  
 4 POLYPROPYLENE FILM CAPACITOR (±5%)  
 5 ALUMINUM ELECTROLYTIC CAPACITOR  
 6 METALLIZED PAPER CAPACITOR (±10%)  
 7 BIPOLAR ALUMINUM ELECTROLYTIC CAPACITOR  
 8 MYLAR FILM CAPACITOR (±5%, 50V)  
 9 POLYESTER FILM CAPACITOR (±5%, 50V)  
 10 CERAMIC CAPACITOR  
 11 MICA CAPACITOR (±5%)

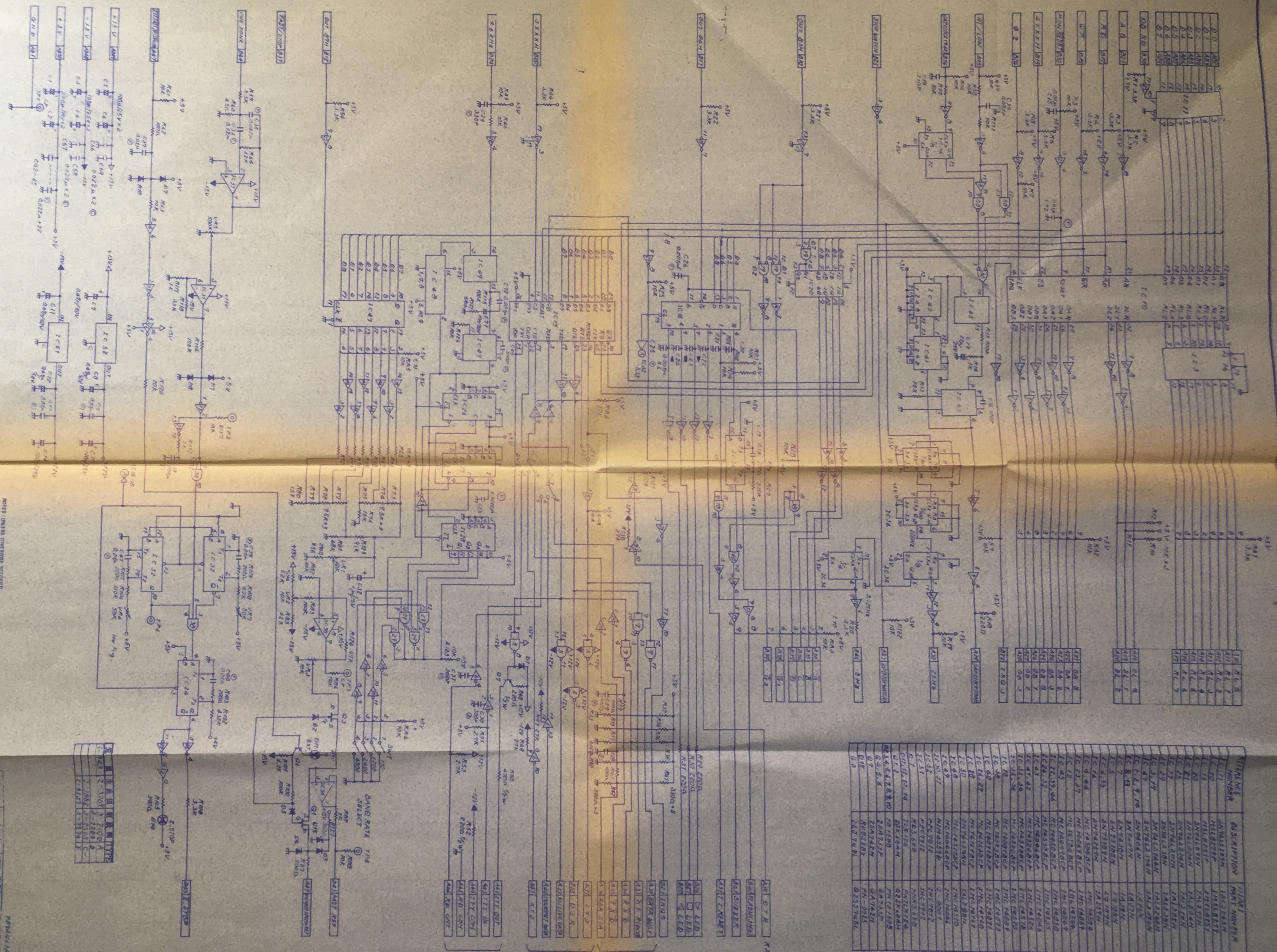
THIS SCHEMATIC DIAGRAM IS APPLIED TO FB-47AA  
 DRAWN BY: [Signature]  
 CHECKED BY: [Signature]  
 APPROVED BY: [Signature]  
 PART NO. FB-47AA  
 DWG NO. [Blank]

REV	DATE	BY	APP	TYPE
1-1077	2-8-76	J-8035		F
		1-8403		



Reference Number	Designation	Quantity
A.11	RESISTOR	10
A.12	RESISTOR	10
A.13	RESISTOR	10
A.14	RESISTOR	10
A.15	RESISTOR	10
A.16	RESISTOR	10
A.17	RESISTOR	10
A.18	RESISTOR	10
A.19	RESISTOR	10
A.20	RESISTOR	10
A.21	RESISTOR	10
A.22	RESISTOR	10
A.23	RESISTOR	10
A.24	RESISTOR	10
A.25	RESISTOR	10
A.26	RESISTOR	10
A.27	RESISTOR	10
A.28	RESISTOR	10
A.29	RESISTOR	10
A.30	RESISTOR	10
A.31	RESISTOR	10
A.32	RESISTOR	10
A.33	RESISTOR	10
A.34	RESISTOR	10
A.35	RESISTOR	10
A.36	RESISTOR	10
A.37	RESISTOR	10
A.38	RESISTOR	10
A.39	RESISTOR	10
A.40	RESISTOR	10
A.41	RESISTOR	10
A.42	RESISTOR	10
A.43	RESISTOR	10
A.44	RESISTOR	10
A.45	RESISTOR	10
A.46	RESISTOR	10
A.47	RESISTOR	10
A.48	RESISTOR	10
A.49	RESISTOR	10
A.50	RESISTOR	10
B.11	RESISTOR	10
B.12	RESISTOR	10
B.13	RESISTOR	10
B.14	RESISTOR	10
B.15	RESISTOR	10
B.16	RESISTOR	10
B.17	RESISTOR	10
B.18	RESISTOR	10
B.19	RESISTOR	10
B.20	RESISTOR	10
B.21	RESISTOR	10
B.22	RESISTOR	10
B.23	RESISTOR	10
B.24	RESISTOR	10
B.25	RESISTOR	10
B.26	RESISTOR	10
B.27	RESISTOR	10
B.28	RESISTOR	10
B.29	RESISTOR	10
B.30	RESISTOR	10
B.31	RESISTOR	10
B.32	RESISTOR	10
B.33	RESISTOR	10
B.34	RESISTOR	10
B.35	RESISTOR	10
B.36	RESISTOR	10
B.37	RESISTOR	10
B.38	RESISTOR	10
B.39	RESISTOR	10
B.40	RESISTOR	10
B.41	RESISTOR	10
B.42	RESISTOR	10
B.43	RESISTOR	10
B.44	RESISTOR	10
B.45	RESISTOR	10
B.46	RESISTOR	10
B.47	RESISTOR	10
B.48	RESISTOR	10
B.49	RESISTOR	10
B.50	RESISTOR	10
C.11	RESISTOR	10
C.12	RESISTOR	10
C.13	RESISTOR	10
C.14	RESISTOR	10
C.15	RESISTOR	10
C.16	RESISTOR	10
C.17	RESISTOR	10
C.18	RESISTOR	10
C.19	RESISTOR	10
C.20	RESISTOR	10
C.21	RESISTOR	10
C.22	RESISTOR	10
C.23	RESISTOR	10
C.24	RESISTOR	10
C.25	RESISTOR	10
C.26	RESISTOR	10
C.27	RESISTOR	10
C.28	RESISTOR	10
C.29	RESISTOR	10
C.30	RESISTOR	10
C.31	RESISTOR	10
C.32	RESISTOR	10
C.33	RESISTOR	10
C.34	RESISTOR	10
C.35	RESISTOR	10
C.36	RESISTOR	10
C.37	RESISTOR	10
C.38	RESISTOR	10
C.39	RESISTOR	10
C.40	RESISTOR	10
C.41	RESISTOR	10
C.42	RESISTOR	10
C.43	RESISTOR	10
C.44	RESISTOR	10
C.45	RESISTOR	10
C.46	RESISTOR	10
C.47	RESISTOR	10
C.48	RESISTOR	10
C.49	RESISTOR	10
C.50	RESISTOR	10

1974.11.11  
 DIZARD  
 DESIGNER  
 HASTER CPU  
 1



UNIT NUMBER	DESCRIPTION	UNIT NUMBER
101	RESISTOR	101
102	RESISTOR	102
103	RESISTOR	103
104	RESISTOR	104
105	RESISTOR	105
106	RESISTOR	106
107	RESISTOR	107
108	RESISTOR	108
109	RESISTOR	109
110	RESISTOR	110
111	RESISTOR	111
112	RESISTOR	112
113	RESISTOR	113
114	RESISTOR	114
115	RESISTOR	115
116	RESISTOR	116
117	RESISTOR	117
118	RESISTOR	118
119	RESISTOR	119
120	RESISTOR	120
121	RESISTOR	121
122	RESISTOR	122
123	RESISTOR	123
124	RESISTOR	124
125	RESISTOR	125
126	RESISTOR	126
127	RESISTOR	127
128	RESISTOR	128
129	RESISTOR	129
130	RESISTOR	130
131	RESISTOR	131
132	RESISTOR	132
133	RESISTOR	133
134	RESISTOR	134
135	RESISTOR	135
136	RESISTOR	136
137	RESISTOR	137
138	RESISTOR	138
139	RESISTOR	139
140	RESISTOR	140
141	RESISTOR	141
142	RESISTOR	142
143	RESISTOR	143
144	RESISTOR	144
145	RESISTOR	145
146	RESISTOR	146
147	RESISTOR	147
148	RESISTOR	148
149	RESISTOR	149
150	RESISTOR	150
151	RESISTOR	151
152	RESISTOR	152
153	RESISTOR	153
154	RESISTOR	154
155	RESISTOR	155
156	RESISTOR	156
157	RESISTOR	157
158	RESISTOR	158
159	RESISTOR	159
160	RESISTOR	160
161	RESISTOR	161
162	RESISTOR	162
163	RESISTOR	163
164	RESISTOR	164
165	RESISTOR	165
166	RESISTOR	166
167	RESISTOR	167
168	RESISTOR	168
169	RESISTOR	169
170	RESISTOR	170
171	RESISTOR	171
172	RESISTOR	172
173	RESISTOR	173
174	RESISTOR	174
175	RESISTOR	175
176	RESISTOR	176
177	RESISTOR	177
178	RESISTOR	178
179	RESISTOR	179
180	RESISTOR	180
181	RESISTOR	181
182	RESISTOR	182
183	RESISTOR	183
184	RESISTOR	184
185	RESISTOR	185
186	RESISTOR	186
187	RESISTOR	187
188	RESISTOR	188
189	RESISTOR	189
190	RESISTOR	190
191	RESISTOR	191
192	RESISTOR	192
193	RESISTOR	193
194	RESISTOR	194
195	RESISTOR	195
196	RESISTOR	196
197	RESISTOR	197
198	RESISTOR	198
199	RESISTOR	199
200	RESISTOR	200

NOTES: UNITARY OR OTHER SYSTEMS  
 1. REFER TO THE DRAWING FOR THE LOCATION OF THE UNIT.  
 2. COMPONENTS SHALL BE OF THE GRADE AND MANUFACTURER SPECIFIED IN THE DRAWING.  
 3. THE DRAWING SHALL BE THE AUTHORITY IN THE EVENT OF A DISCREPANCY BETWEEN THE DRAWING AND THE PARTS LIST.  
 4. THE DRAWING SHALL BE THE AUTHORITY IN THE EVENT OF A DISCREPANCY BETWEEN THE DRAWING AND THE PARTS LIST.  
 5. THE DRAWING SHALL BE THE AUTHORITY IN THE EVENT OF A DISCREPANCY BETWEEN THE DRAWING AND THE PARTS LIST.

REVISIONS:  
 1. REVISED FOR THE ADDITION OF THE FOLLOWING COMPONENTS:  
 2. REVISED FOR THE ADDITION OF THE FOLLOWING COMPONENTS:  
 3. REVISED FOR THE ADDITION OF THE FOLLOWING COMPONENTS:  
 4. REVISED FOR THE ADDITION OF THE FOLLOWING COMPONENTS:  
 5. REVISED FOR THE ADDITION OF THE FOLLOWING COMPONENTS:

DATE: 10/10/64  
 DRAWN BY: J. J. J.  
 CHECKED BY: J. J. J.  
 APPROVED BY: J. J. J.