



QUICK GUIDE TO AC FANS

Model	Air		Line		Power (W)	NPEL (Bels)	Housing	Fan Speed (rpm)	Safety Approval			Temperature		L10 Life † (hours)
	Flow (CFM)	Voltage (V)	Frequency (Hz)	Current (mA)					UL	CSA	VDE	Min. (°C)	Max. (°C)	
TA450AC Sleeve Bearing Fans					4.69 × 4.69 × 1.50 in. (119 × 119 × 38 mm), 27.8 oz.									
A30769	50	115	50/60	124/110	12/10	4.0	Zinc	1600	✓	✓	✓	-20	+60	63,000
A30925	50	230	50/60	62/55	12/10	4.0	Zinc	1650	✓	✓	✓	-20	+60	63,000
A30390	68	115	50/60	110/104	12/11	4.3	Zinc	2050	✓	✓	✓	-20	+60	63,000
A30426	68	230	50/60	55/52	12/11	4.3	Zinc	2100	✓	✓	✓	-20	+60	63,000
A30108	105	115	50/60	260/210	19/17	5.8	Zinc	3200	✓	✓	✓	-20	+60	63,000
A28678	105	230	50/60	130/105	19/17	5.8	Zinc	3200	✓	✓	✓	-20	+60	63,000
TA450AC Ball Bearing Fans					4.69 × 4.69 × 1.50 in. (119 × 119 × 38 mm), 27.8 oz.									
A30926	50	115	50/60	124/110	12/10	4.0	Zinc	1600	✓	✓	✓	-20	+70	50,000
A30927	50	230	50/60	62/55	12/10	4.0	Zinc	1650	✓	✓	✓	-20	+70	50,000
A30443	68	115	50/60	110/104	12/11	4.3	Zinc	2050	✓	✓	✓	-20	+70	50,000
A30444	68	230	50/60	55/52	12/11	4.3	Zinc	2100	✓	✓	✓	-20	+70	50,000
A30122	105	115	50/60	260/210	19/17	5.8	Zinc	3200	✓	✓	✓	-20	+70	50,000
A30135	105	230	50/60	130/105	19/17	5.8	Zinc	3200	✓	✓	✓	-20	+70	50,000

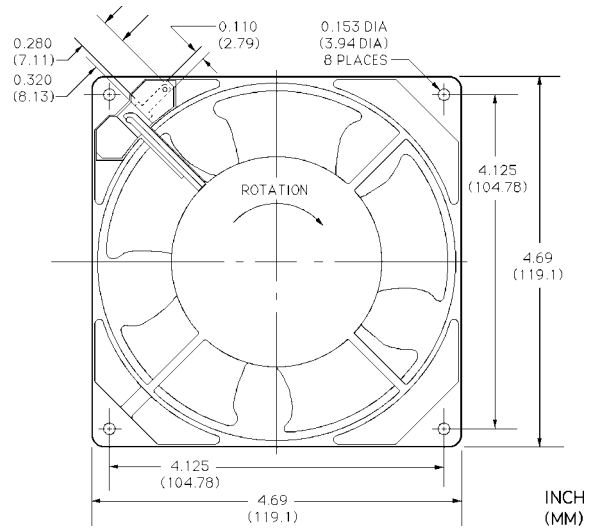
Note: Noise Power Emission Level (NPEL), current, power and speed ratings are at nominal voltage against zero static pressure. Power termination and signal options are designated by two-digit suffixes added to the model names. For quick-disconnect male power-tab terminations on the body of the fan, add "-10" to the model numbers. For color-coded 12-inch power leads with stripped ends, add "-20" to the model numbers.

The strut side is the air discharge side of all ac-powered fans shown here.

† TÜV approved to EN60950.

† L10 bearing life expectancy at $T_A = +40^\circ\text{C}$, nominal voltage. Failure criteria include a 15% reduction in speed or a 5 dBA increase in sound pressure.

TA450AC



WIDTH = 1.50 IN. (38 MM)

