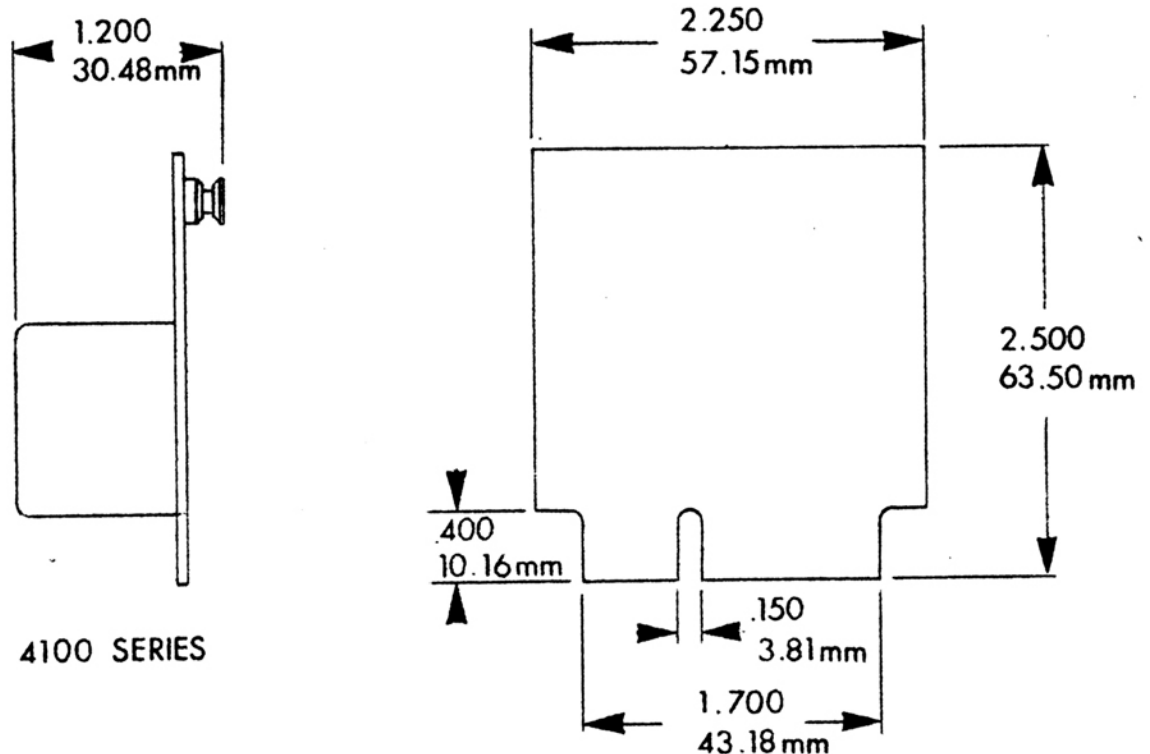


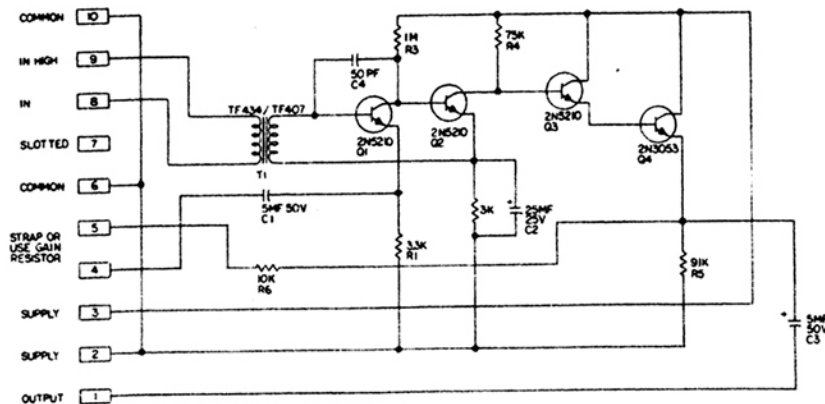
THE AM4102 PRE-AMPLIFIER IS PRIMARILY INTENDED FOR USE AS A MICROPHONE PRE-AMPLIFIER IN THE 4000 SERIES SYSTEM. IT MAY BE USED AS AN INDIVIDUAL MODULE IN OTHER ASSEMBLIES IF THE INPUT AND OUTPUT PARAMETERS SERVE THE REQUIRED PURPOSE.

GENERAL DESCRIPTION

The AM4102 pre-amplifier is designed for microphone pre-amplification into a system load of 10K ohms. It is constructed on a plug-in printed circuit card and does not contain controls or adjustments.

The AM4102 is made available with two different input transformers. The "A" version is provided with a good quality microphone input transformer with performance characteristics sufficient for most applications. If a better frequency response and improved low frequency distortion is required, the AM4102B with the high quality input transformer should be used.





1 ALL RESISTORS 5% 1/2 WATT

ELECTRICAL SPECIFICATIONS

SOURCE IMPEDANCE:	250 ohms nominal
GAIN:	-54 dbm causes 250 mv/10K ohms out Change of feedback resistor changes gain:
	22K ohms +3 db
	56K ohms +6 db
	100K ohms +9 db
FREQUENCY RESPONSE:	(4102A) \pm 1db 30 hz to 15 Khz (4102B) \pm 5db 30 hz to 15 Khz
LOAD IMPEDANCE:	10K ohms or more
OUTPUT MAX:	8 volts RMS/10K ohms
HARMONIC GENERATION:	Less than .1% at 1 Khz
NOISE:	Equivalent input -122 dbm
POWER REQUIREMENTS:	42 volts dc/3 mA
SIZE:	2-1/4" wide X 2-1/2" long
MATING CONNECTOR:	Cinch 252-10-30-24D
MOUNTING:	The AM4102 type amplifier may be mounted in TRY-4000.