

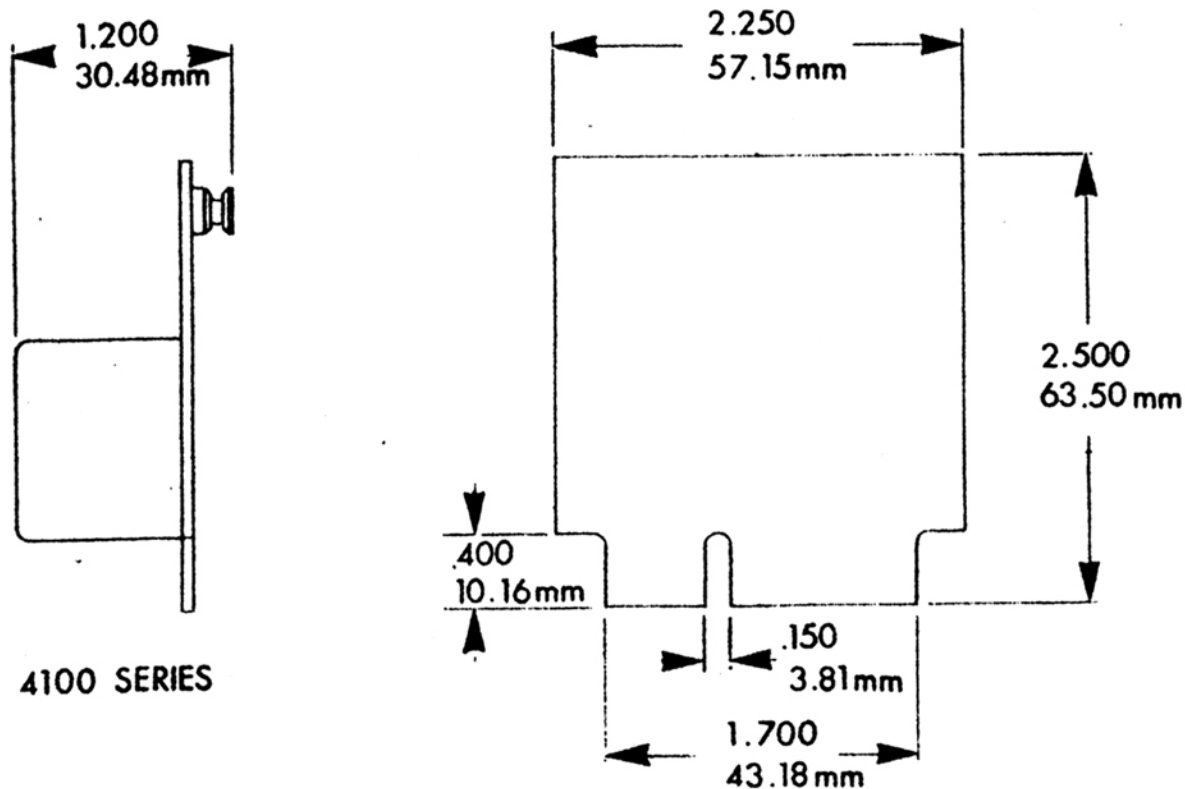
PRE-AMPLIFIER

THE AM4101 PRE-AMPLIFIER IS PRIMARILY INTENDED FOR USE AS A MICROPHONE PRE-AMPLIFIER IN THE 4000 SERIES SYSTEM. IT MAY BE USED AS AN INDIVIDUAL MODULE IN OTHER ASSEMBLIES IF THE INPUT AND OUTPUT PARAMETERS SERVE THE REQUIRED PURPOSE.

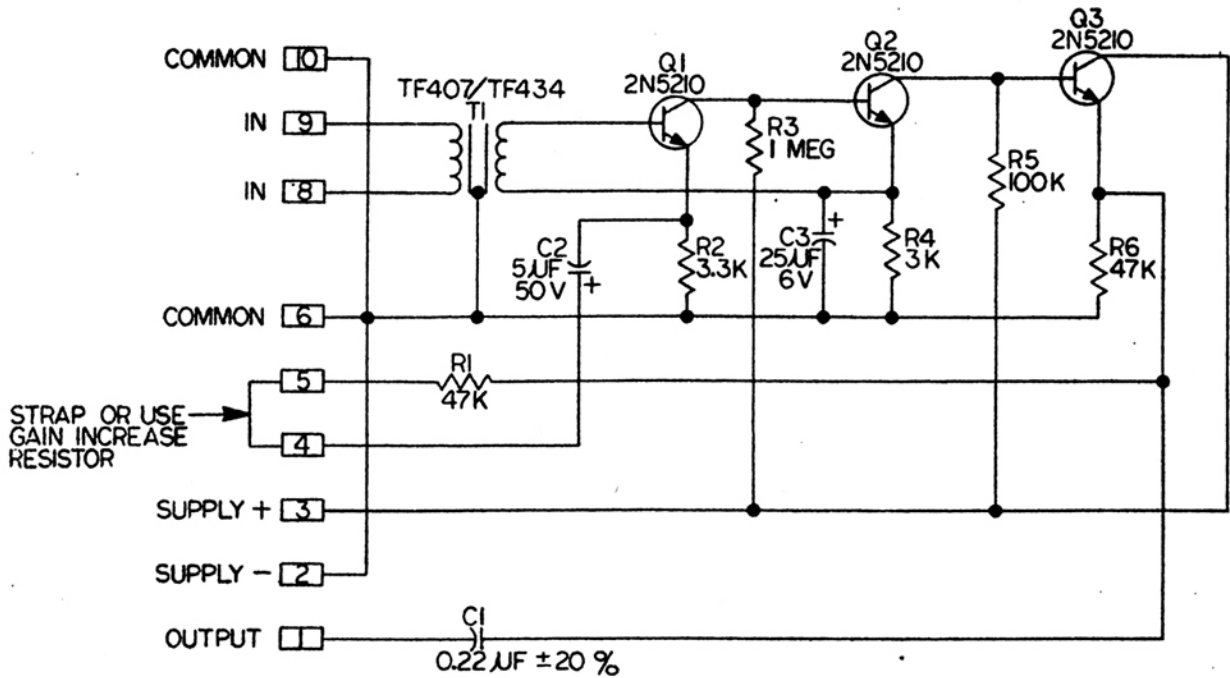
GENERAL DESCRIPTION

The AM4101 pre-amplifier is designed for microphone pre-amplification into a system load of 100K ohms. It is constructed on a plug-in printed circuit card and does not contain controls or adjustments.

The AM4101 is made available with two different input transformers. The "A" version is provided with a good quality microphone input transformer with performance characteristics sufficient for most applications. If a better frequency response and improved low frequency distortion is required, the AM4101B with a high quality input transformer should be used.



4100 SERIES



ELECTRICAL SPECIFICATIONS

SOURCE IMPEDANCE:

250 ohms nominal

GAIN:

-54 dbm causes 250 mv/100K ohms out
Change of feedback resistor changes gain:

22K ohms	+3 db
56K ohms	+6 db
100K ohms	+9 db

FREQUENCY RESPONSE:

(A) \pm 1db 30 hz to 15 Khz
(B) \pm .5db 30 hz to 15 Khz

LOAD IMPEDANCE

200K ohms nominal

OUTPUT MAX.

5 volts RMS/100K ohms

HARMONIC GENERATION:

Less than .2% at 1 Khz

NOISE:

Equivalent input -122 dbm

POWER REQUIREMENTS:

42 volts dc/750 uA

SIZE:

2-1/4" wide X 2-1/2" long

MATING CONNECTOR:

Cinch 252-10-30-24D

MOUNTING:

The 4101 type amplifier may be mounted in TRY-4000