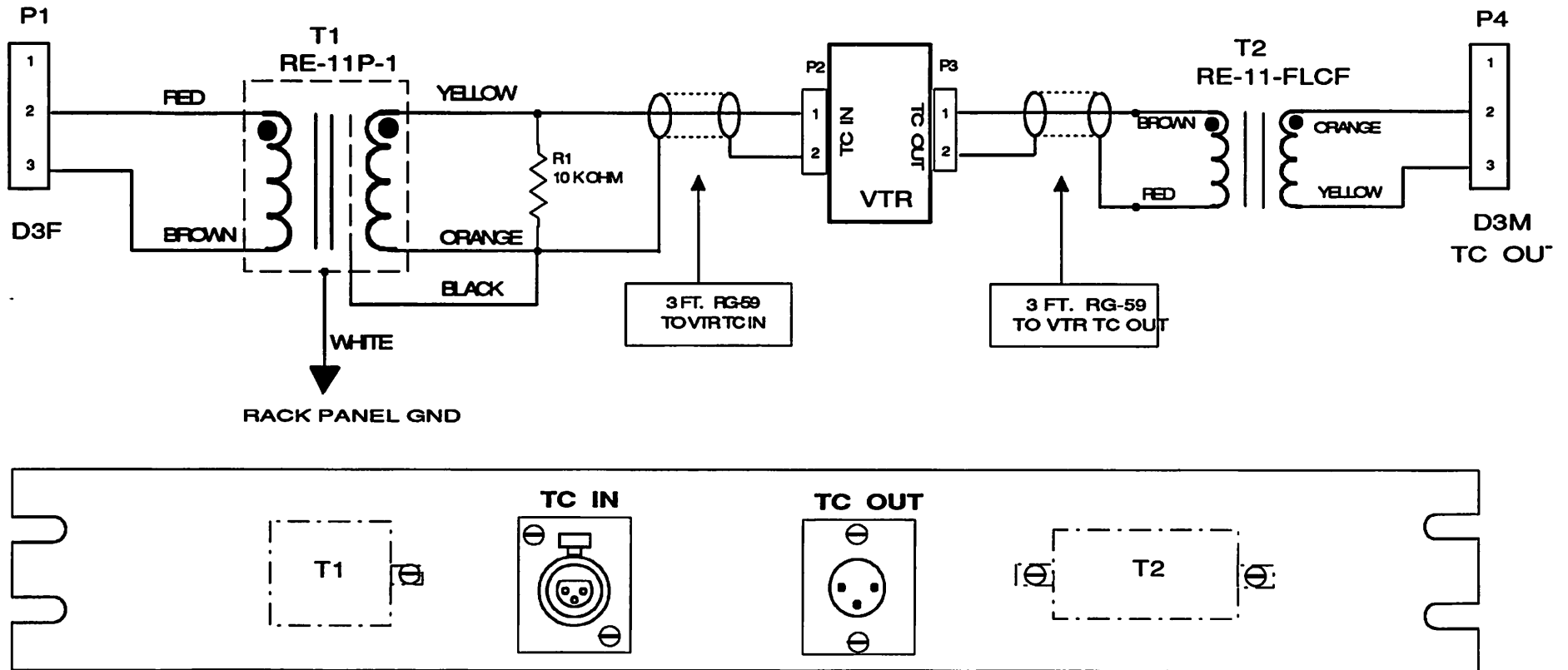




TIME CODE APPLICATION



For central time code source in a multi machine environment, quality transformers are needed. Transformers provide, 1) ground loop isolation, 2) keep time code out of the audio and, 3) keep spurious signals out of the time code. If the VTR TC input is 10K or lower, R1 can be omitted. Both transformers are small enough to fit on a 1.75" rack panel mounted directly under the VTR.

© 1991 BCI