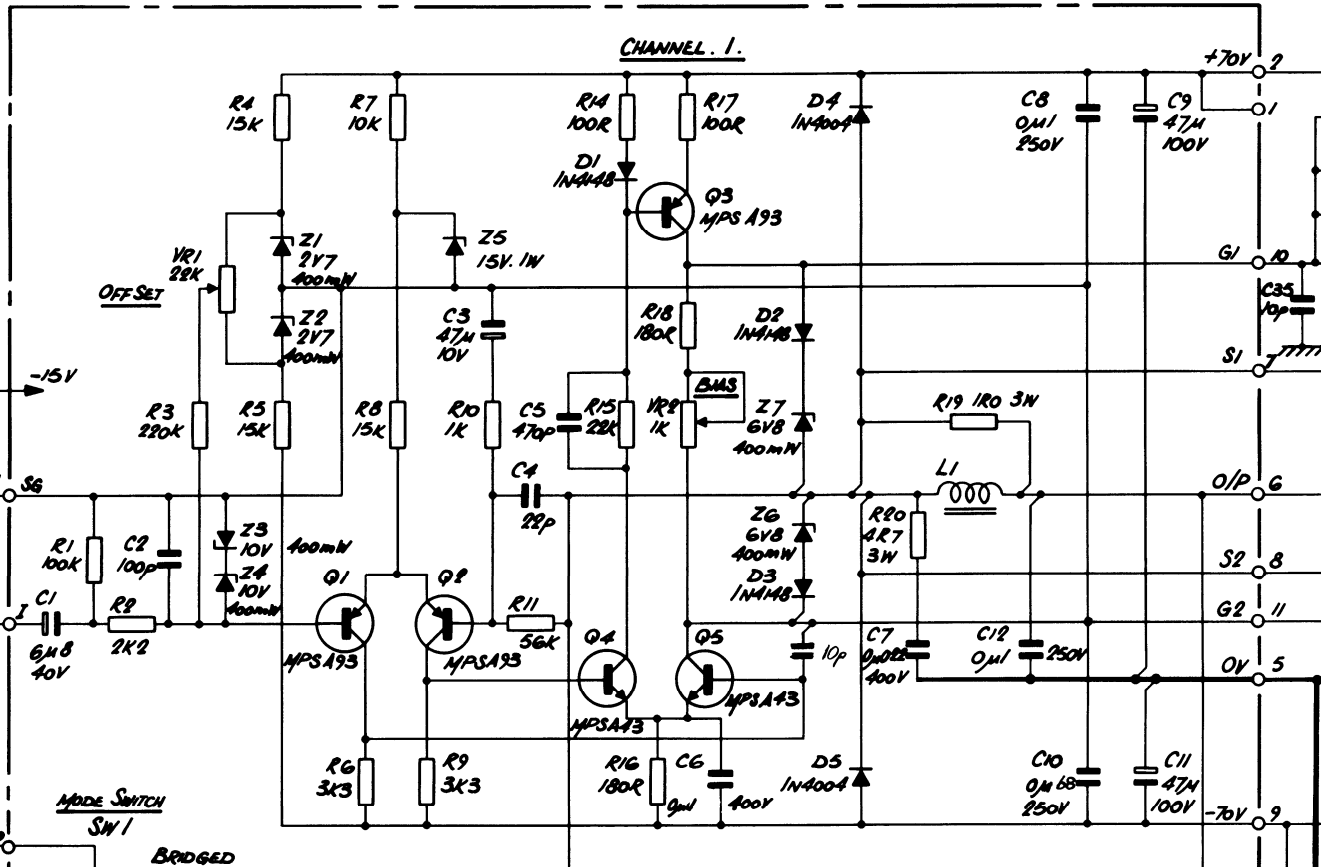
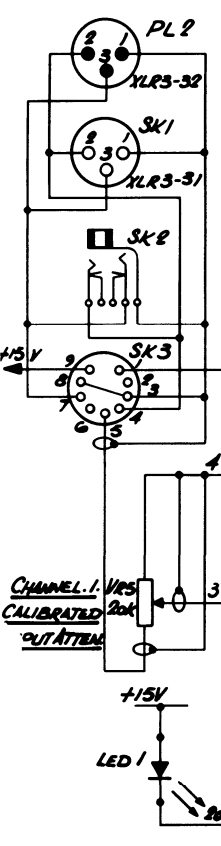
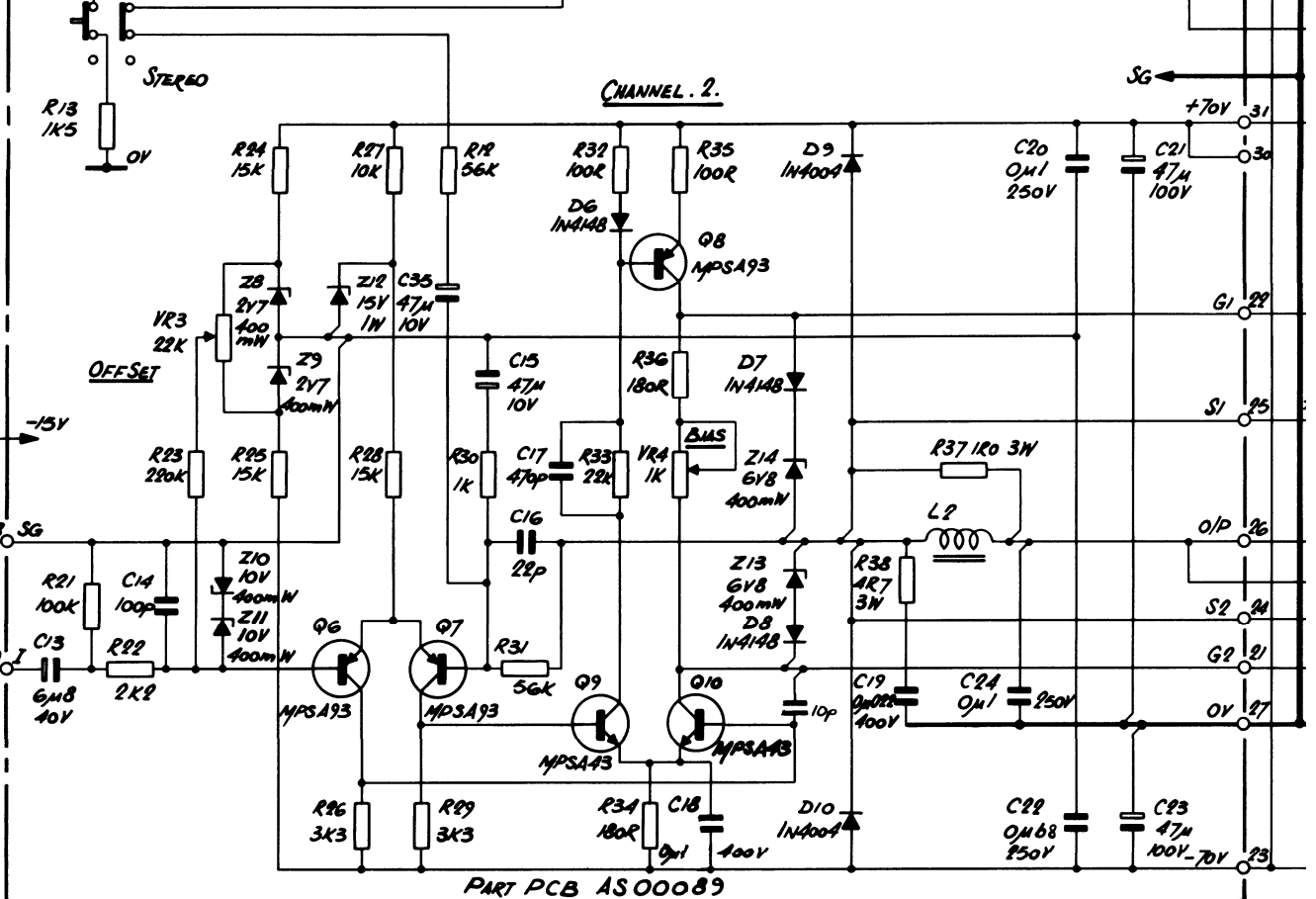
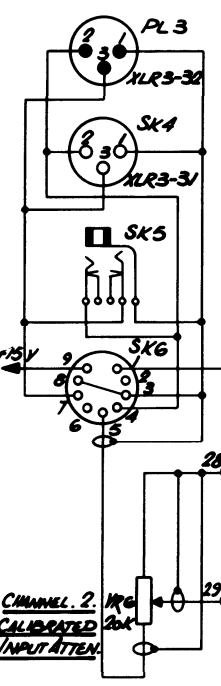


CHANNEL 1. INPUTS

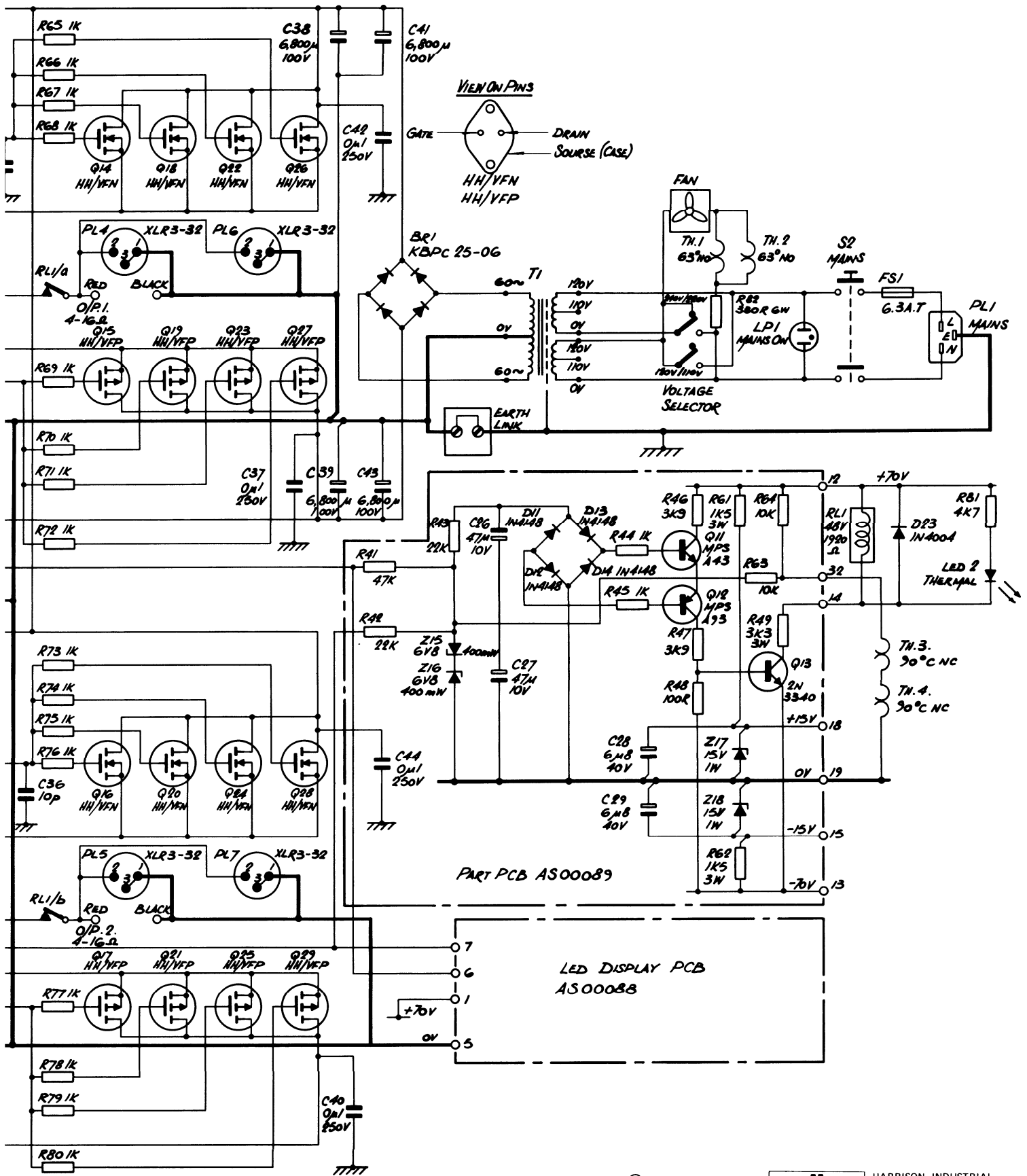


CHANNEL 2. INPUTS



PART PCB AS00089

NOTE:
SK3 & SK6:- B9A BASE FOR OPTIONAL INPUT TRANSFORMER

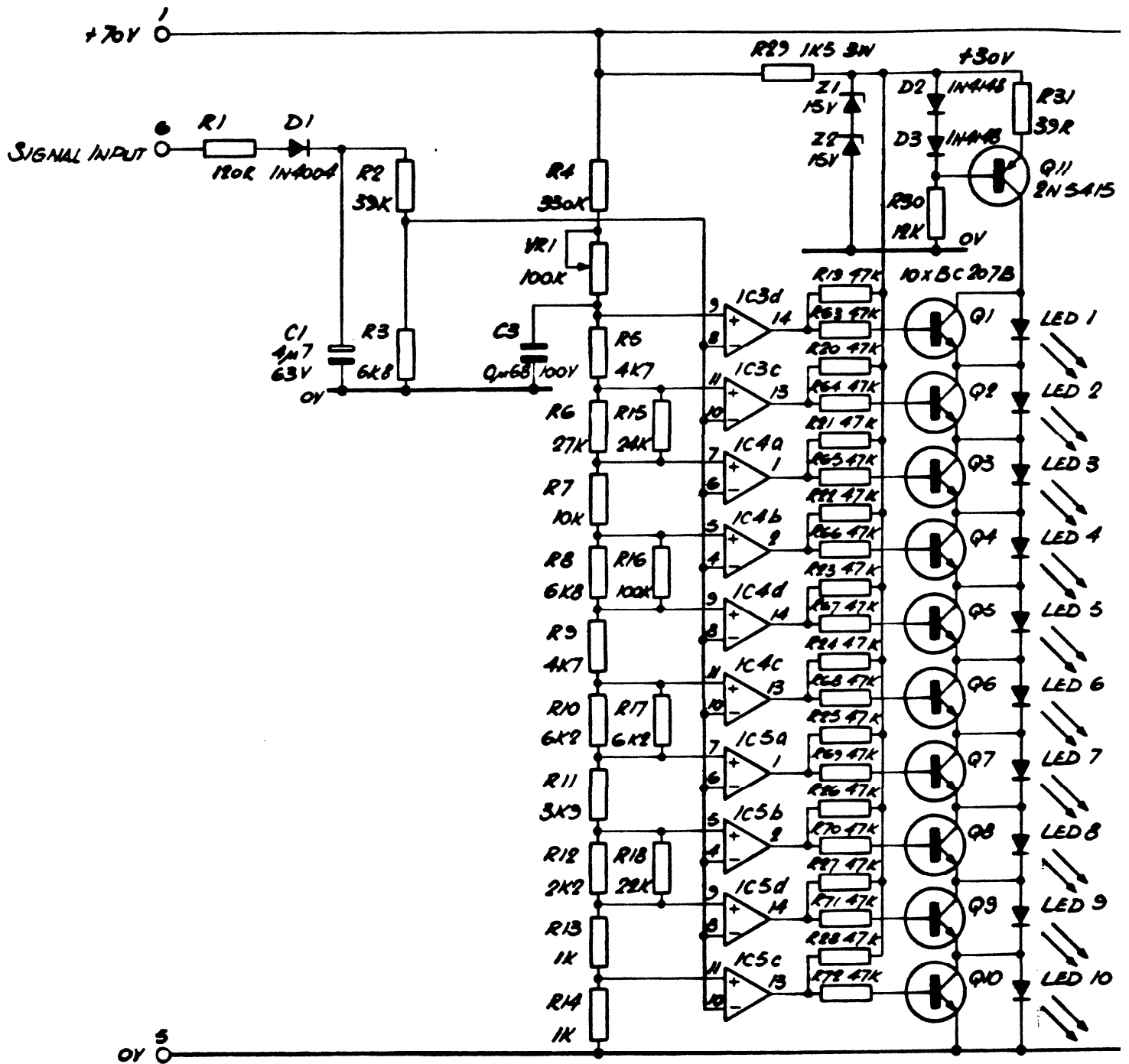


© 1979

TITLE V800



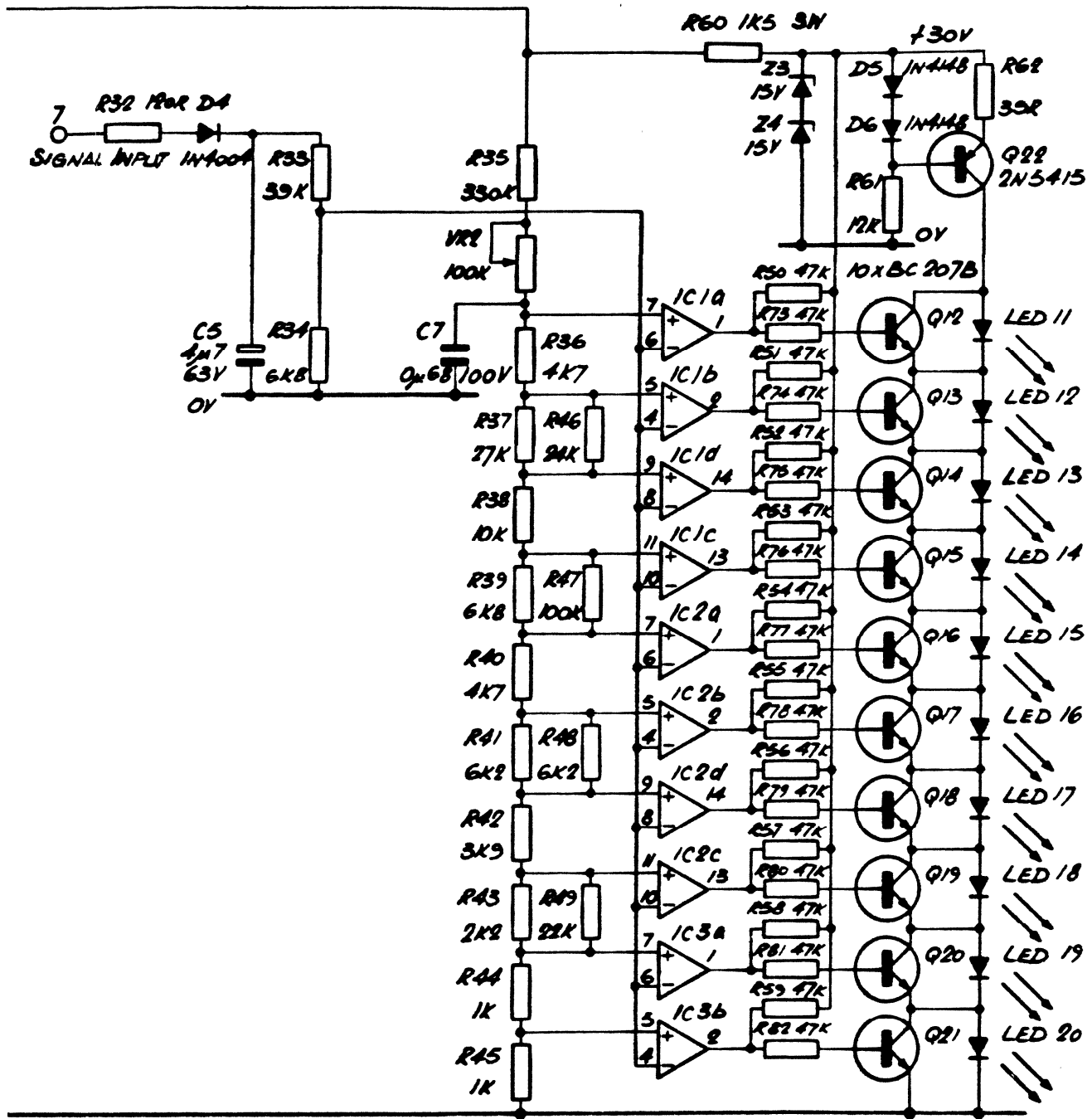
HARRISON INDUSTRIAL DEVELOPMENTS LTD., VIKING WAY, BAR HILL, CAMBRIDGE, CB3 8EL
TEL CRAFTS HILL (0954) 81140
TELEX 817515 HH ELEC G



NOTE

IC1-5 LM339

POWER SUPPLIES ON PIN 3:- +30V AND PIN 12:- 0V.



© 1979

LED DISPLAY PCB
CIRCUIT DIAGRAM



HARRISON INDUSTRIAL
 DEVELOPMENTS LTD.
 VIKING WAY, BAR HILL
 CAMBRIDGE CB3 9EL
 TEL: CRAFTS HILL (0994) 811
 TELEX: 817515 HHI ELEC G