

6

5

4

3

2

1

REVISION RECORD			
LTR	ECO NO:	APPROVED:	DATE:
1	R6 from 15k to 33k2	GH	5/2012
2	R453 from 15k to 30k	GH	5/2012
3	Add C2 u1/35v Tant	GH	5/2012
4	Removed TR2	gh	7/2012
5	Added TR3 and R45	GH	7/2012

D

D

C

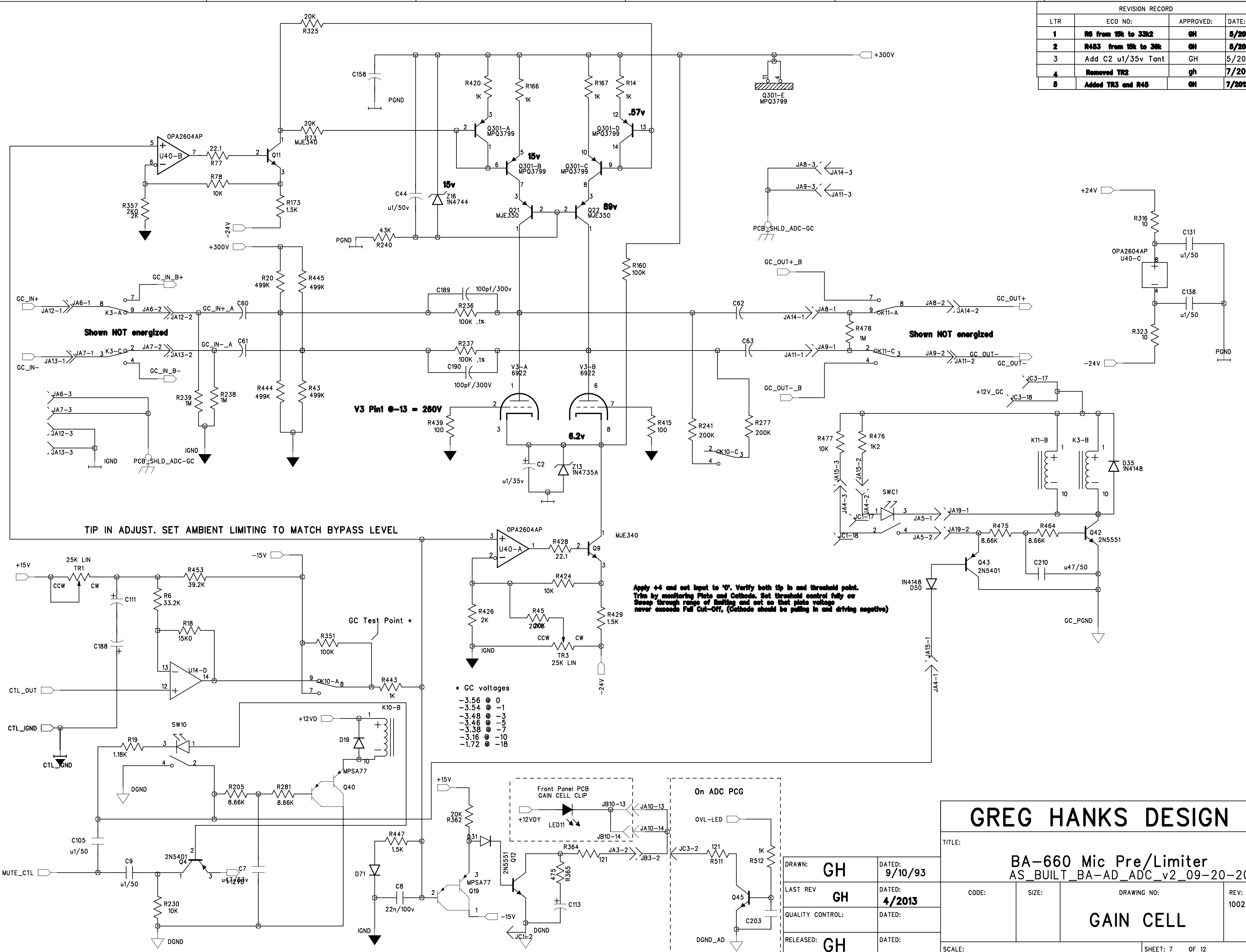
C

B

B

A

A



TIP IN ADJUST. SET AMBIENT LIMITING TO MATCH BYPASS LEVEL

Apply +4 and set input to '0'. Verify both tip in and threshold point. Trim by monitoring Plate and Cathode. Set threshold control fully on. Sweep through range of limiting and set so that plate voltage never exceeds Full Cut-Off. (Cathode should be pulling in and driving negative)

* GC voltages

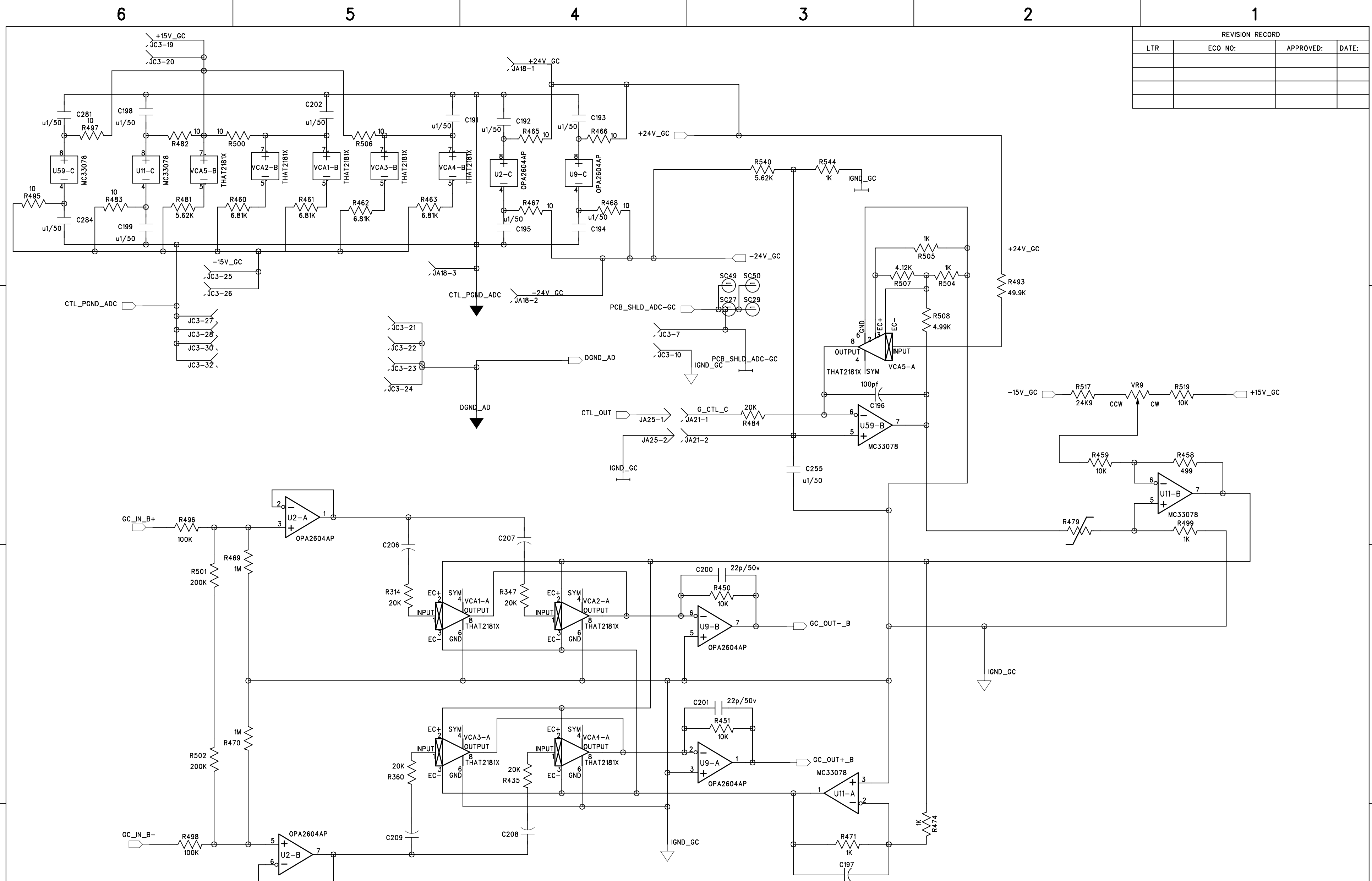
-3.56	@ 0
-3.54	@ -1
-3.48	@ -3
-3.46	@ -5
-3.38	@ -7
-3.16	@ -10
-1.72	@ -18

GREG HANKS DESIGN

TITLE: BA-660 Mic Pre/Limiter AS_BUILT_BA-AD_ADC_v2_09-20-2015			
CODE:	SIZE:	DRAWING NO:	REV: 1002
SCALE:		SHEET: 7 OF 12	

DRAWN: GH	DATED: 9/10/93
LAST REV: GH	DATED: 4/2013
QUALITY CONTROL:	DATED:
RELEASED: GH	DATED:

REVISION RECORD			
LTR	ECO NO:	APPROVED:	DATE:



GREG HANKS DESIGN			
TITLE: AS_BUILT_BA-AD_ADC_v2_09-20-2015			
Alternate Gain Cell			
DRAWN:	DATED:	CODE:	SIZE:
CHECKED: GH	DATED: 11-3-13	DRAWING NO:	REV:
QUALITY CONTROL: GH	DATED: 11-3-13	0	
RELEASED:	DATED:	SCALE:	SHEET: 1 OF 13

6

5

4

3

2

1

REVISION RECORD			
LTR	ECO NO:	APPROVED:	DATE:

1. JA22.1 WAS ADC_IN_R- NOW R_ADC-IN_COM
2. JA22.3 WAS ADC_GC_COUPLE NOW R_ADC_IN-
3. JA26.2 WAS AD-OUT_Com_R NOW ADC_GC_COUPLE
4. JA26.3 WAS L_ADC_IN- NOW ADC_GC_COUPLE

PS Voltage R iset
 +/- 15 5k1
 +/- 18 6k1
 +/- 20 6k8

D

D

C

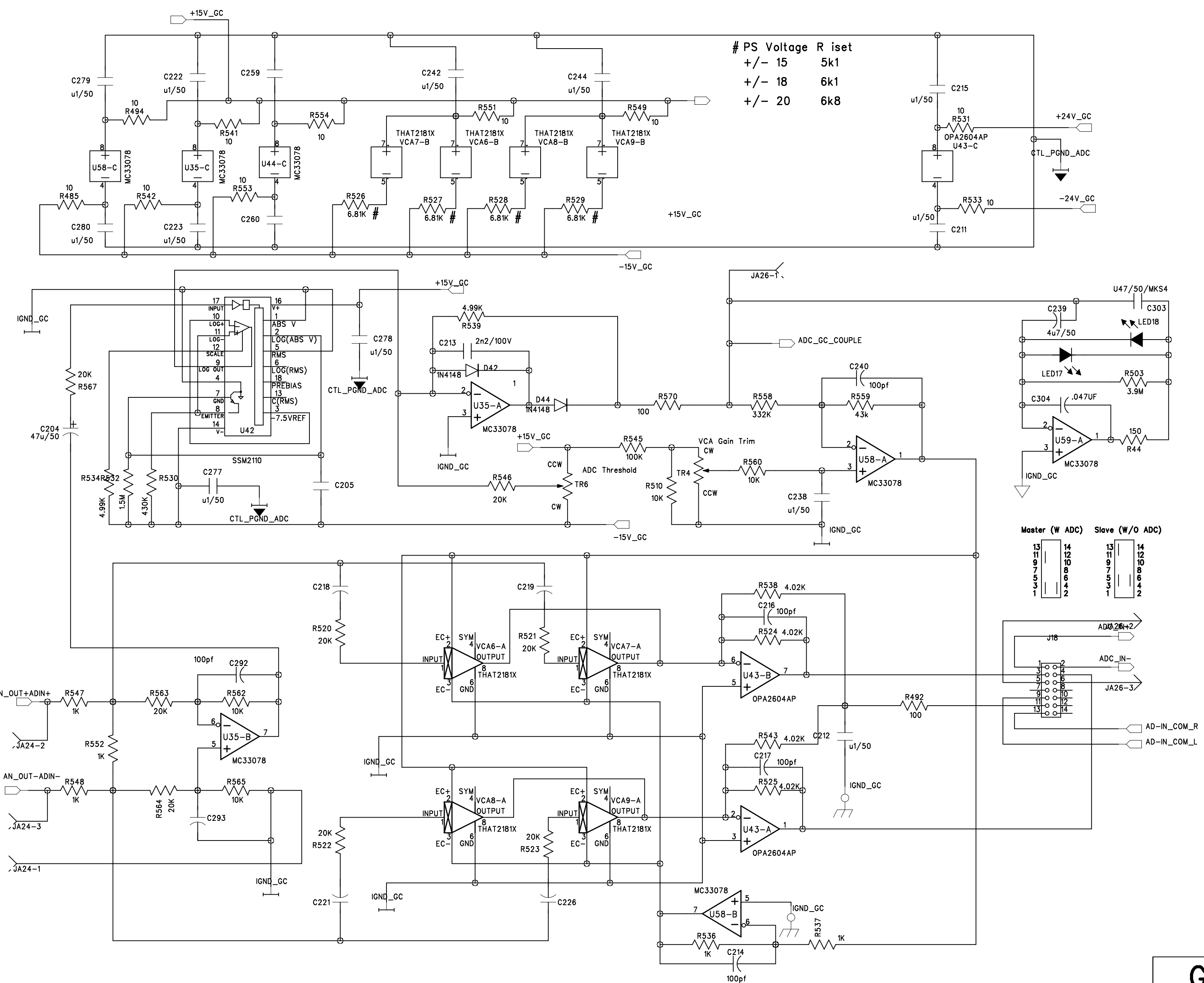
C

B

B

A

A

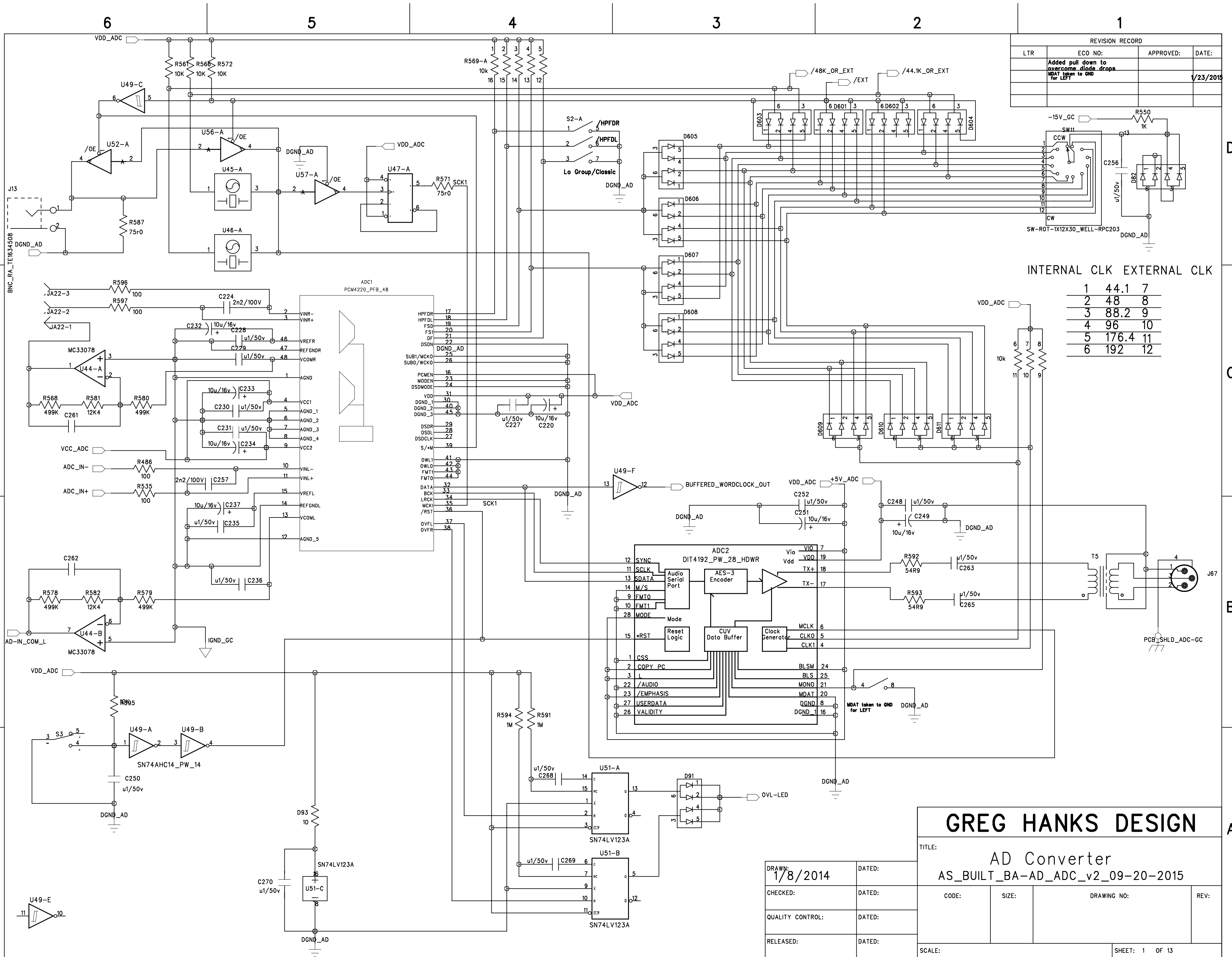


GREG HANKS DESIGN

TITLE: ADC Gain Cell AS_BUILT_BA-AD_ADC_v2_09-20-2015			
CODE:	SIZE:	DRAWING NO:	REV:
SCALE:			SHEET: 1 OF 13

DRAWN:	DATED:
CHECKED:	DATED:
QUALITY CONTROL:	DATED:
RELEASED:	DATED:

REVISION RECORD			
LTR	ECO NO:	APPROVED:	DATE:
	Added pull down to overcome diode drops		1/23/2015
	MDAT taken to GND for LEFT		



INTERNAL CLK EXTERNAL CLK

1	44.1	7
2	48	8
3	88.2	9
4	96	10
5	176.4	11
6	192	12

GREG HANKS DESIGN

TITLE: AD Converter
AS_BUILT_BA-AD_ADC_v2_09-20-2015

DRAWN: 1/8/2014	DATED:
CHECKED:	DATED:
QUALITY CONTROL:	DATED:
RELEASED:	DATED:

CODE:	SIZE:	DRAWING NO:	REV:
-------	-------	-------------	------

SCALE: SHEET: 1 OF 13

6

5

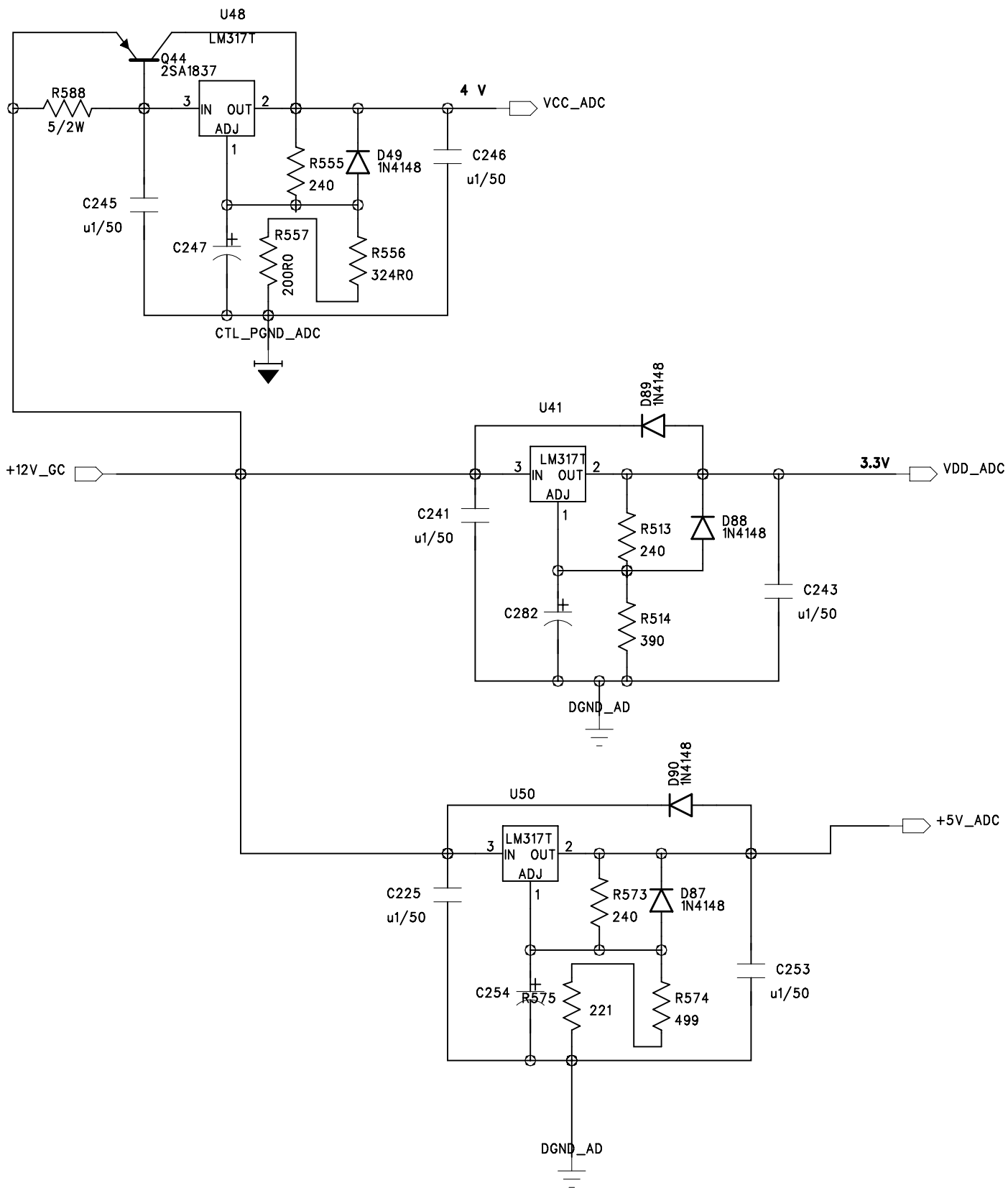
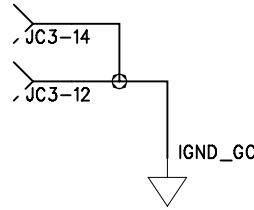
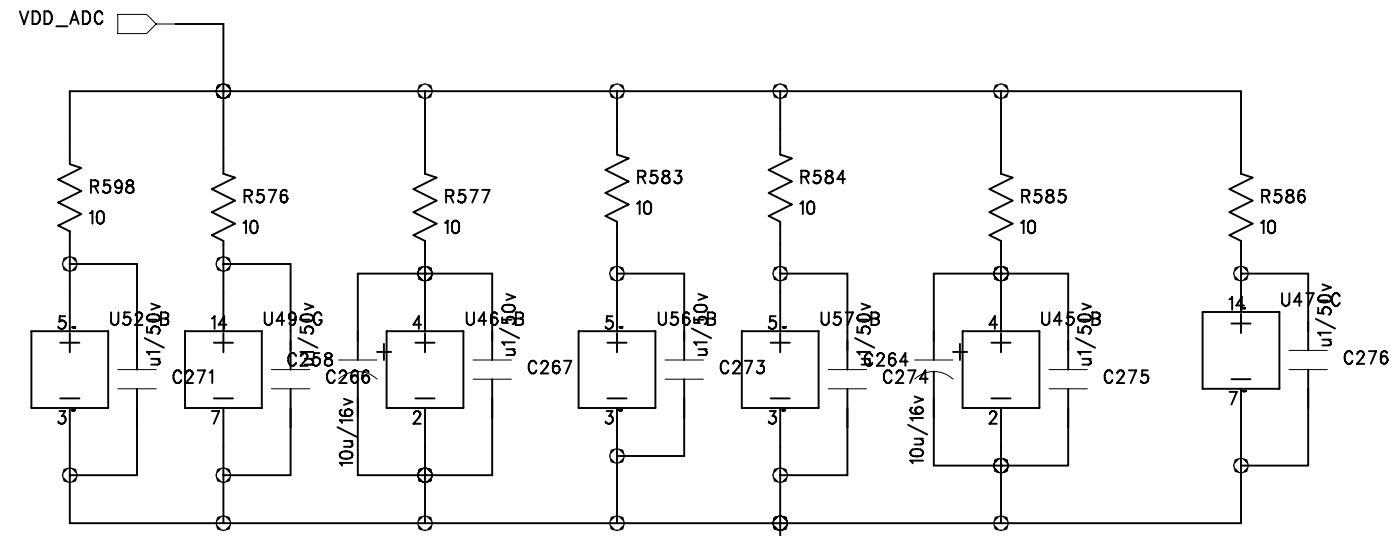
4

3

2

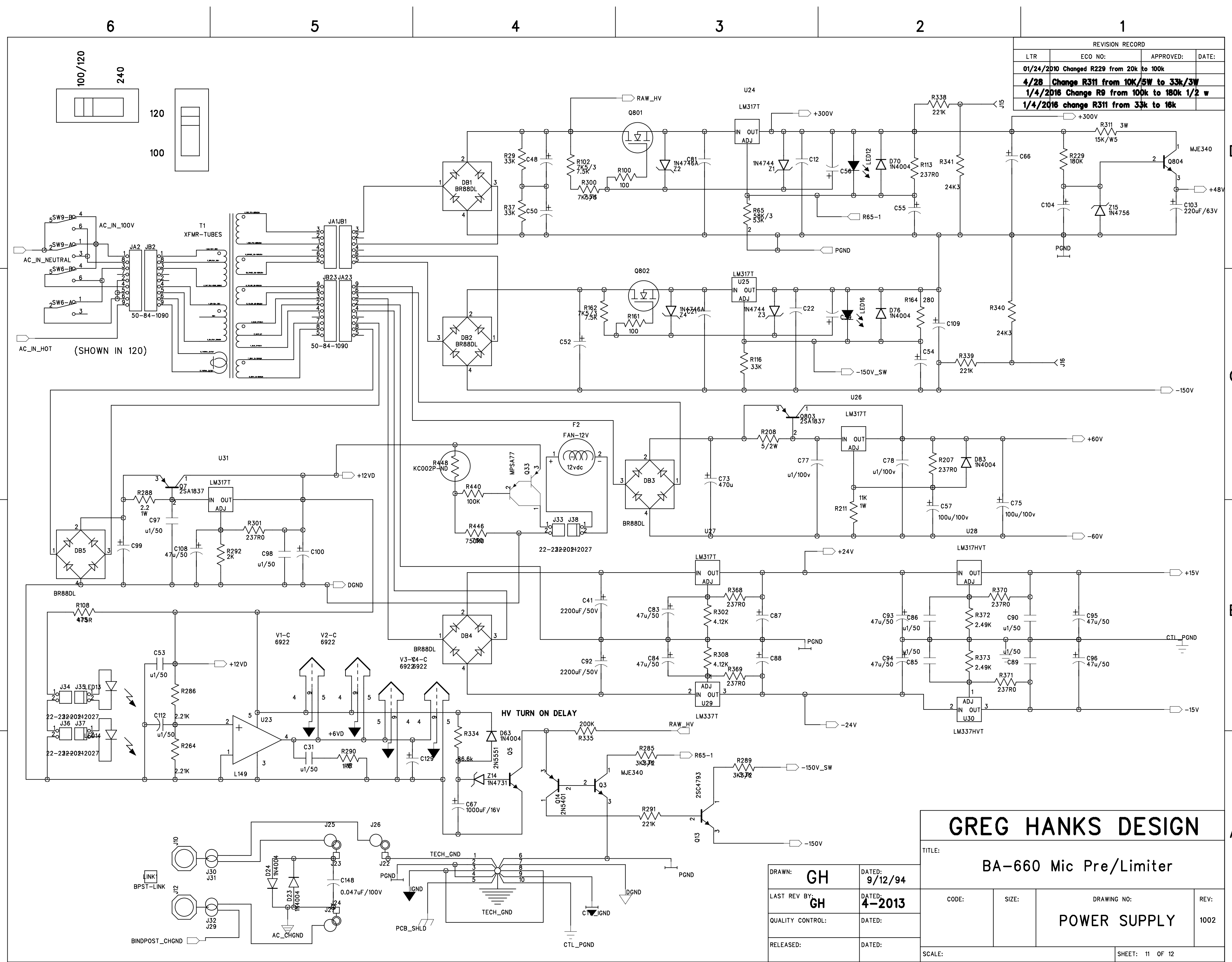
1

REVISION RECORD			
LTR	ECO NO:	APPROVED:	DATE:



GREG HANKS DESIGN			
TITLE: ADC-POWER			
AS_BUILT_BA-AD_ADC_v2_09-20-2015			
CODE:	SIZE:	DRAWING NO:	REV:
		BA-660 1003-12-2013	5-4
SCALE:			SHEET: 1 OF 13

DRAWN:	DATED:
CHECKED:	DATED:
QUALITY CONTROL:	DATED:
RELEASED:	DATED:



REVISION RECORD			
LTR	ECO NO:	APPROVED:	DATE:
01/24/2010	Changed R229 from 20k to 100k		
4/28	Change R311 from 10K/5W to 33k/3W		
1/4/2016	Change R9 from 100k to 180k 1/2 w		
1/4/2016	change R311 from 33k to 16k		

GREG HANKS DESIGN

TITLE: **BA-660 Mic Pre/Limiter**

POWER SUPPLY

1002

11 OF 12

DRAWN: GH	DATED: 9/12/94	CODE:	SIZE:	DRAWING NO:	REV:
LAST REV BY: GH	DATED: 4-2013				
QUALITY CONTROL:	DATED:				
RELEASED:	DATED:				

PWR