

INSTRUCTION MANUAL  
MODEL 692 OSC  
TEST OSCILLATOR CARD

Serial No.

FAIRCHILD RECORDING EQUIPMENT CORPORATION  
10-40 45th Avenue, Long Island City, N.Y. 11101  
212 784-6163

IB692OSC/769

FAIRCHILD MODEL 692 OSC  
TEST OSCILLATOR CARD

DESCRIPTION

The FAIRCHILD test oscillator card, MODEL 692 OSC, is designed to complement the FAIRCHILD INTEGRA II series cards. It covers a complete audio range in one continuous sweep, or in 5 or 7 selected frequencies. The 692OSC consists of a card 3 1/2" wide by 5 1/2" long with three controls appearing on the front panel attached to the card. It can be operated in the following manner:

- (1) 5 frequencies from 20 hz to 15 Khz can be selected using 5 position switch on the Model 692 OSC-5, or 7 frequencies from 20 hz to 15 Khz can be selected using 7 position switch on the Model 692 OSC-7 card
- (2) continuous sweep from 20 Hz to 15 Khz, using control located below the frequency selector switch

The output gain control adjusts the level for the line feed or microphone feed (which is 60 db lower). A unique feature of the 692 OSC card is that the frequency can be remotely controlled using simply two unshielded wires. Remote control of a frequency can be accomplished by inserting fixed or variable resistors at the remote point between the two remote control wires.

The FAIRCHILD 692 OSC oscillator can be used in conjunction with INTEGRA II series cards, or can be inserted into a special 692 OSC holder, Model 692SCHO, for complete shielding from the adjacent equipment, as well as for mounting into a FAIRCHILD 662RM 5 1/4" rack mounting frame.

SPECIFICATIONS

OUTPUT LEVEL	+10 dbm max. (-50 dbm mic output)
DISTORTION	.2% maximum
OUTPUT UNIFORMITY	within 1 db
OUTPUT IMPEDANCE	3 ohms
MIC FEED OUTPUT IMPEDANCE	200 ohms
POWER REQUIREMENTS	24V at 100 ma with remote control 10 ma without remote control
DIMENSIONS (card)	3 1/2" wide by 5 1/2" deep

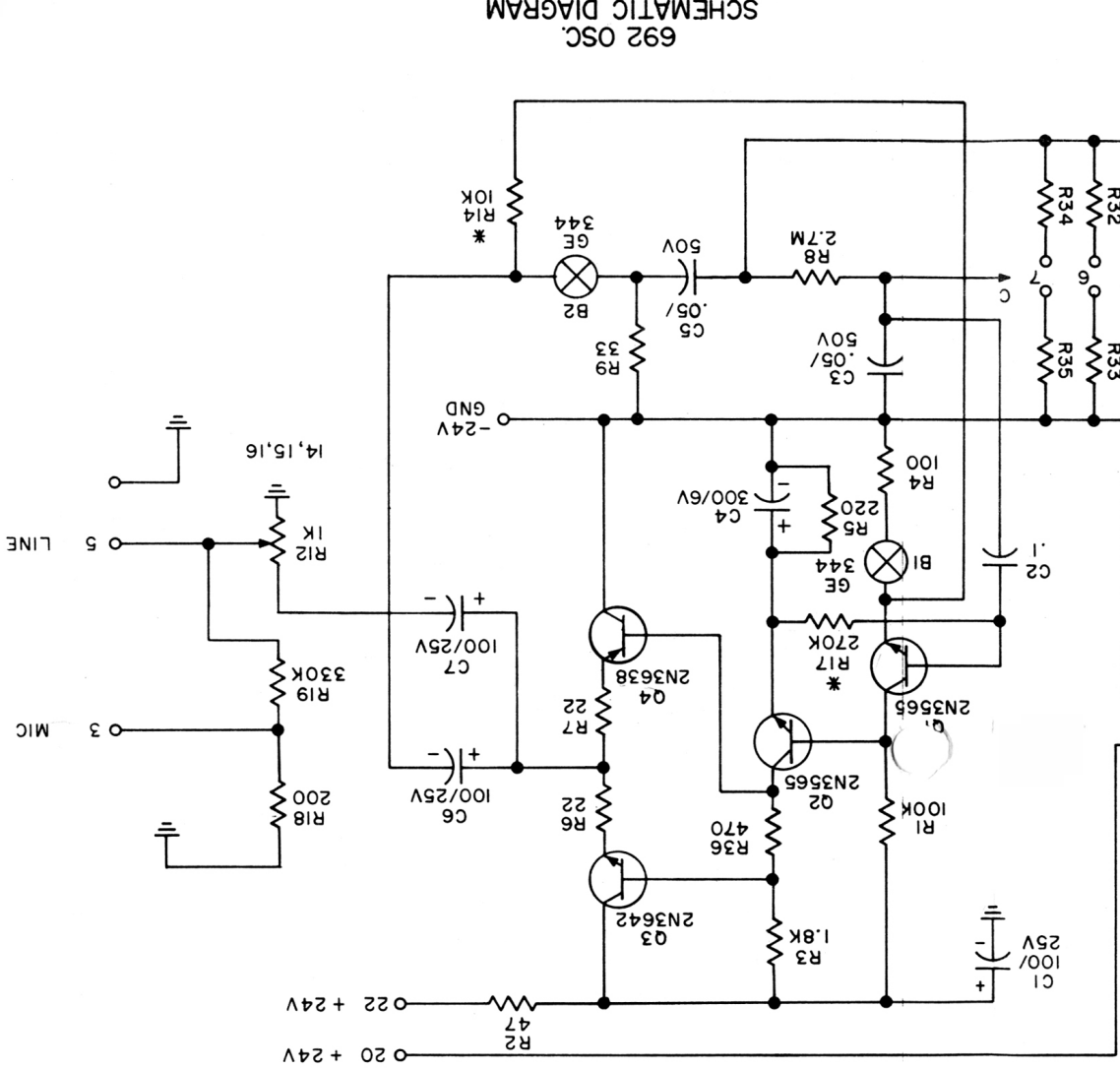
WARRANTY

See standard warranty attached. To validate warranty, complete and return the warranty registration card included with this manual. If there are any questions on this or any other FAIRCHILD professional product, please do not hesitate to contact our Customer Service Department, FAIRCHILD RECORDING EQUIPMENT CORPORATION, 10-40 45th Avenue, Long Island City, New York 11101.

ATTACHMENTS

Schematic diagram 692 OSC C96674

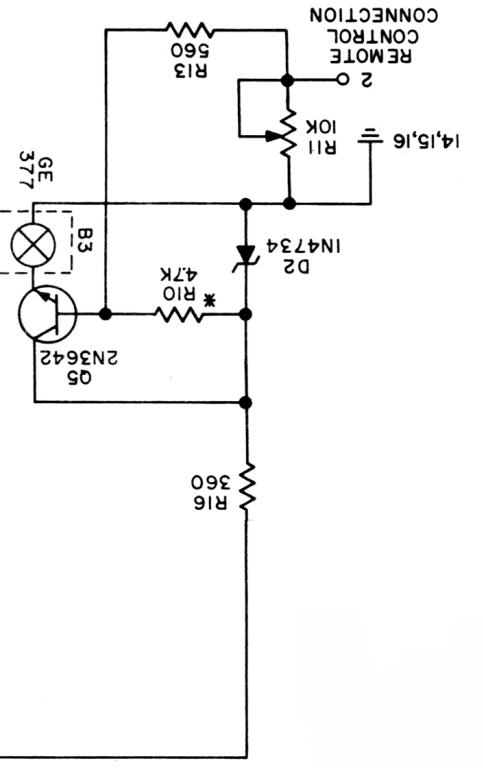
MODELS 692 OSC-5 - selects 5 frequencies from 20 hz to 15Khz  
692 OSC-7 - selects 7 frequencies from 20 hz to 15Khz



692 OSC  
SCHEMATIC DIAGRAM

ITEM	VALUE	FREQ.
R22,R23	82K	50 HZ
R24,R25	39K	100 HZ
R26,R27	6.8K	500 HZ
R28,R29	3.3K	1000 HZ
R30,R31	560Ω	5000 HZ
R32,R33	330Ω	10000 HZ
R34,R35	220Ω	15000 HZ

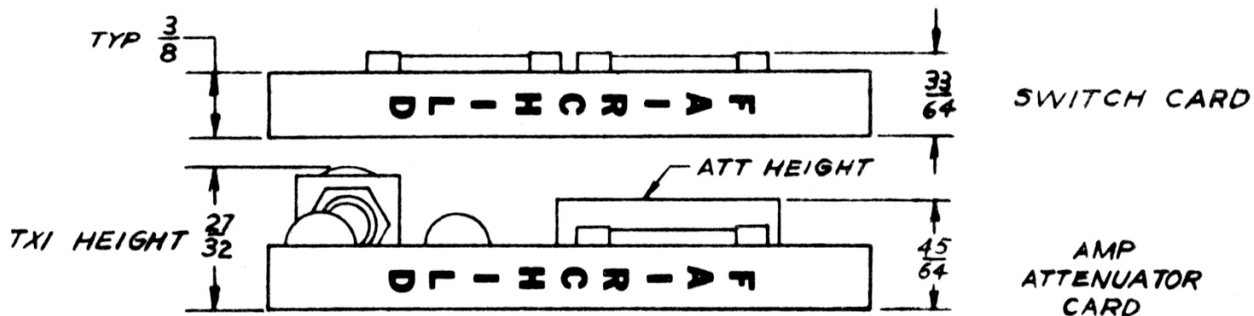
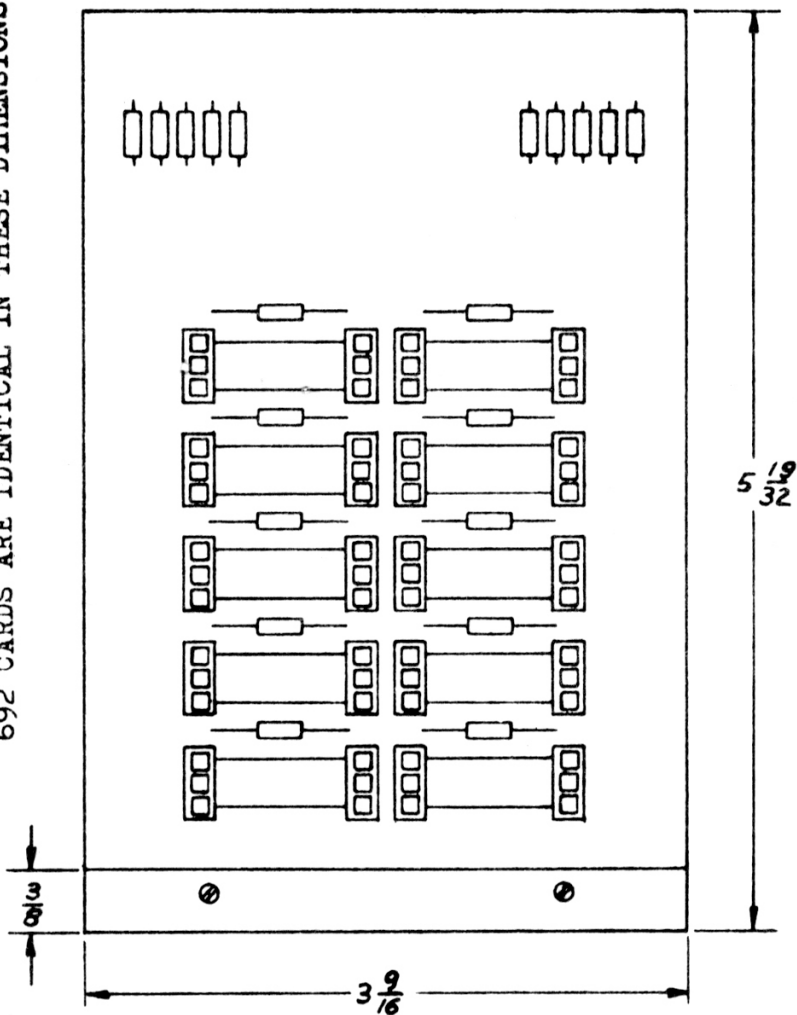
NOTE: 1. UNLESS OTHERWISE SPECIFIED  
ALL RESISTORS ARE IN OHMS & 1/4 W.  
ALL CAPACITORS ARE IN MFD.  
\* - TO BE SELECTED AT FINAL ASSY.  
\*\* - LDR1 = LDR2



REMOTE CONTROL  
CONNECTION

# INTEGRA II PC BOARD MOUNTING DIMENSIONS

AUDIO SWITCHER CARD USED AS AN  
EXAMPLE FOR LENGTH & WIDTH. ALL  
692 CARDS ARE IDENTICAL IN THESE DIMENSIONS.



A-96297