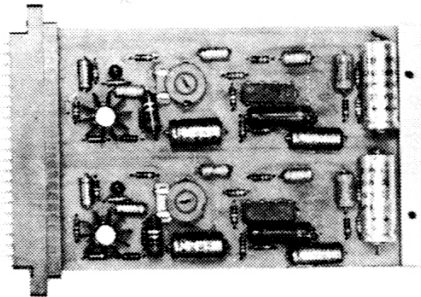


FAIRCHILD

DOUBLE CUE AMPLIFIER CARD

MODEL 692DCA



INSTRUCTION MANUAL

IB692DCA/671

692DCA DOUBLE CUE AMPLIFIER

DESCRIPTION

The Model 692DCA is designed for use in driving cue speakers in broadcast consoles, or in talkback and intercom systems. It consists of two 2 watt amplifiers, with preamps, on a single printed circuit card.

Two IC power modules provide up to 2 watts of audio at less than 1.5% distortion with frequency response of ± 1 db from 50 hz to 20Khz. Gain control between the preamp and amplifier section adjusts output level in each channel. Input impedance is 10K and output impedance 0.4 ohms, with recommended speaker loads of 4 Ohms or higher. Power requirements 24VDC (150 ma) per channel.

INSTALLATION

The 692DCA is designed to complement the 692 series audio cards and is 3 9/16" high by 5 1/2" long. The card mounts in a card holder, such as the 692SCH, or card rack file, such as the 692RM, with other 692 series cards.

CONNECTIONS (see schematic)

SPECIFICATIONS

Maximum power output	2 watts into 8 ohms
Frequency response	± 1 50 hz to 20 Khz
Distortion	1.5% max at full output. .4% at 1 watt output
Noise	60 db below rated output
Power requirement	- 24VDC at 150 ma per amplifier
Input impedance	10K
Output impedance	.4 ohm

WARRANTY & SERVICE POLICY

See standard warranty policy. To validate warranty, complete and return the warranty registration card included with this manual. If there is any question on this or any other FAIRCHILD professional product, please do not hesitate to contact our Customer Service Department, FAIRCHILD SOUND EQUIPMENT CORPORATION, 10-40 45th Avenue, Long Island City, New York 11101

ATTACHMENTS

Dimensional drawing A962997
Schematic diagram B96733
Warranty/Registration

DO NOT SCALE DWG. WORK TO FIGURES.
TOLERANCES - UNLESS OTHERWISE SPECIFIED
DEC. DIMS. ± FRAC. DIMS. ± ANGULAR DIMS. ±

DRILL, PUNCH, COMMERCIAL STOCK
SIZES AND MANUFACTURERS'
TOLERANCES ARE NOT INCLUDED.

REMOVE ALL
BURRS AND
SHARP EDGES

NOTES:

1. UNLESS OTHERWISE SPECIFIED
ALL RESISTORS ARE IN OHMS, 1/4W.
ALL CAPACITORS ARE IN MFD.
- * TRANSISTOR WITH HEAT SINK.
- ** TO BE SELECTED

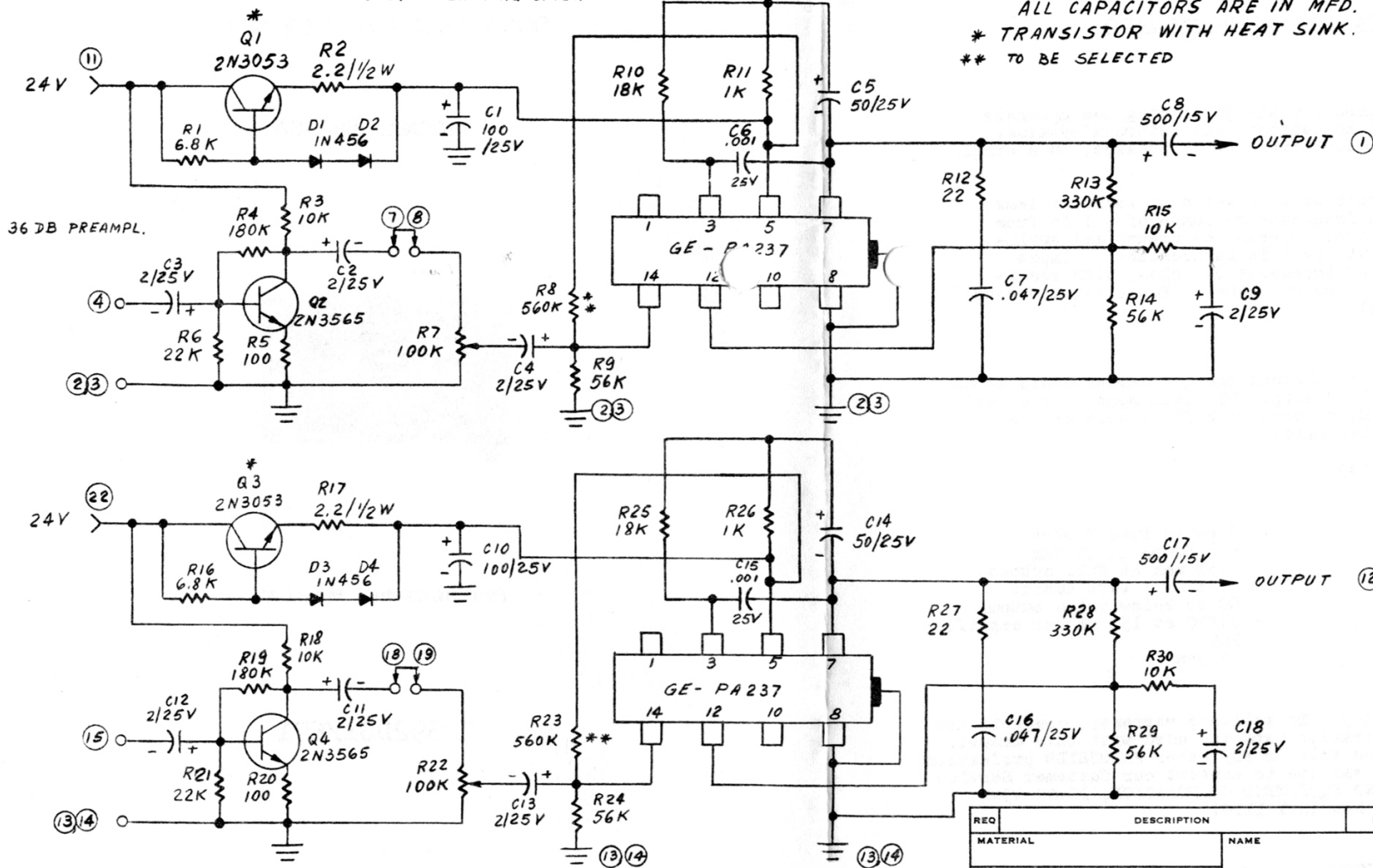
NUMBER
B-96733

ISSUE: 1.- CHANGED AS
PER E.C.O.#8.-
3/10/69 S.K.

2- VALUE OF R7 & R22
WAS 50K.
4/20/70 S.K.

3- ADDED TERMINAL
NUMBERS & REMOVED
TRANSFORMERS.
5/20/70 S.K.

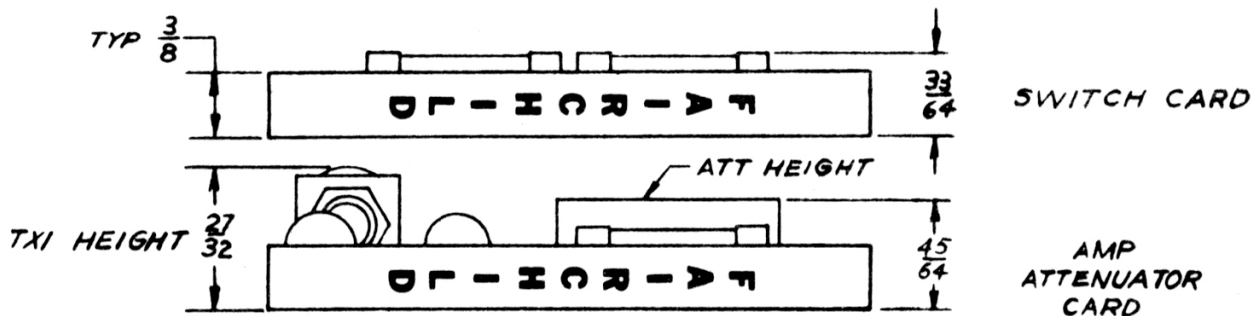
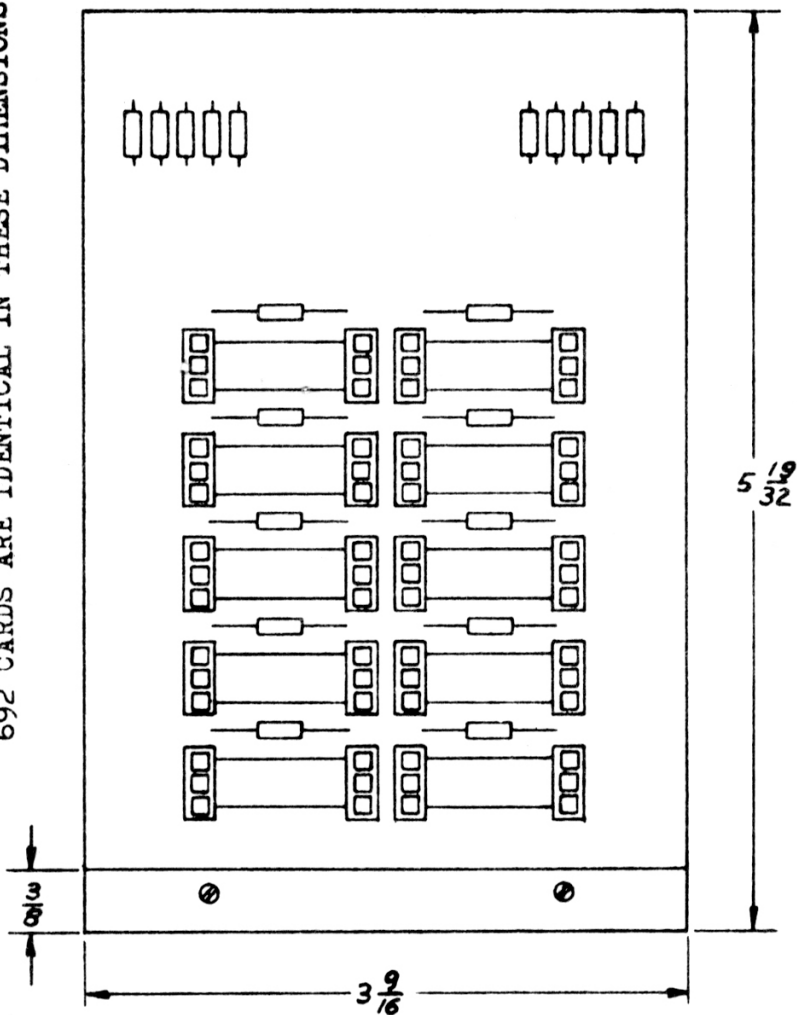
CURRENT LIMITING CIRCT.



REQ	DESCRIPTION	DWG NUMBER	ITEM	NEXT ASSEMBLY
MATERIAL		NAME		
HEAT TREATMENT		692 DCA		
FINISH		SCHEMATIC DIAGRAM		
DRAWN BY 3/27/69 <i>W. W. [Signature]</i>		CHKD BY		FAIRCHILD RECORDING EQUIPMENT CORPORATION 10-40 45 AVE., L. I. C. I. N. Y.
ENG	PROJECT ENG	DRFTG APP	SCALE	NUMBER
				B-96733

INTEGRA II PC BOARD MOUNTING DIMENSIONS

AUDIO SWITCHER CARD USED AS AN
EXAMPLE FOR LENGTH & WIDTH. ALL
692 CARDS ARE IDENTICAL IN THESE DIMENSIONS.



A-96297