

HIGH TO LOW IMPEDANCE CONVERTER CARD

MODEL 692 HLIC - 4

IB692HLIC-4/769

INSTRUCTION MANUAL

FAIRCHILD MODEL 692 HLIC-4
HIGH TO LOW IMPEDANCE CONVERTER CARD

DESCRIPTION

The FAIRCHILD MODEL 692 HLIC-4 card is intended to provide high to low impedance conversion when interconnecting pieces of equipment normally not compatible impedancewise. On the 692 HLIC card there are 4 separate amplifier sections, each with unity gain. The input impedance of each amplifier is 100,000 ohms. Each amplifier accepts levels up to +15 dbm. The output impedance of each amplifier is 600 ohms at maximum level +15 dbm.

Four amplifier sections, each one completely separate from the other, enables the user to connect the 692HLIC card on the output of four separate audio channels and feed four independent 600 ohm sources. The same card can also be used for bridging a 600 ohm load to any 600 ohm line without loading it. It can also be used for mixing of high impedance sources terminating in 600 ohm output. By interconnecting all four inputs, the 692HLIC can also serve as a distribution amplifier feeding four 600 ohm circuits from common high impedance input.

INSTALLATION

The FAIRCHILD MODEL 692 HLIC card can be installed using a FAIRCHILD 692SCH single card holder, or it can be installed into any card rack designed to accept cards 3 1/2" wide by 5 1/2" long. If rack mounting is desired, the use of the FAIRCHILD 692RM or 662RM is recommended. Up to 16 692HLIC cards can be inserted into the 692RM card rack, and 11 cards can be inserted into the 5 1/4" rack space of the 662RM by using the 692SCH card holder for each card.

SPECIFICATIONS

GAIN	Unity
INPUT IMPEDANCE	100K ohms
OUTPUT IMPEDANCE	600 ohms
MAXIMUM INPUT LEVEL	+15 dbm
MAXIMUM OUTPUT LEVEL	+15 dbm
DISTORTION	.2% maximum
NOISE	-75 db below 0 dbm
FREQUENCY RESPONSE	+ 1/2 db from 20 hz to 20 Khz
POWER REQUIREMENTS	24 volts at 20 ma for 4 channels

WARRANTY

See standard warranty policy. To validate warranty, complete and return the warranty registration card included with this manual. If there is any question on this or any other FAIRCHILD professional product, please do not hesitate to contact our Customer Service Department, FAIRCHILD RECORDING EQUIPMENT CORPORATION, 10-40 45th Avenue, Long Island City, New York 11101

ATTACHMENTS

Schematic diagram 692HLIC-4 B96661
Mounting dimension diagram

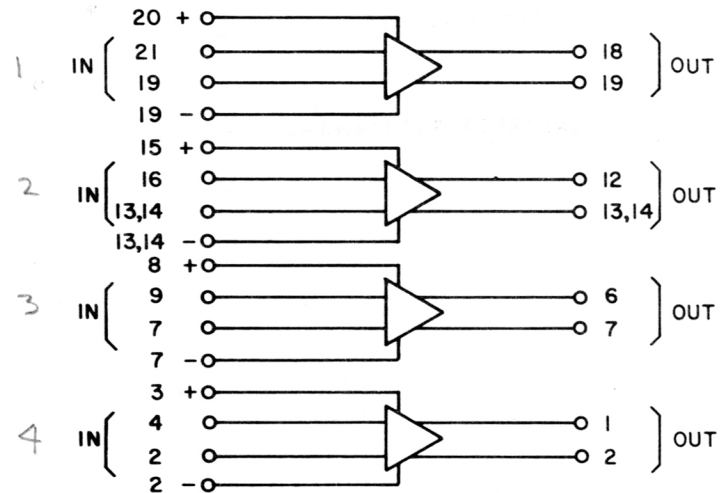
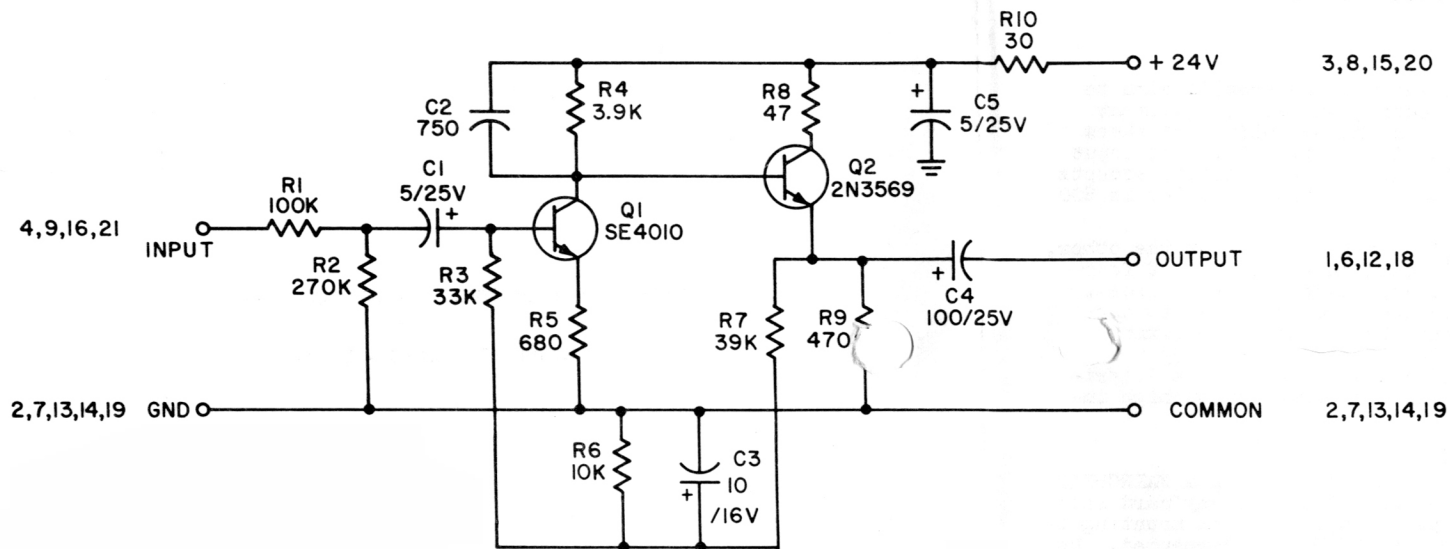
DO NOT SCALE DWG. WORK TO FIGURES.
TOLERANCES - UNLESS OTHERWISE SPECIFIED
DEC. DIMS. ± FRAC. DIMS. ± ANGULAR DIMS. ±

DRILL, PUNCH, COMMERCIAL STOCK
SIZES AND MANUFACTURERS'
TOLERANCES ARE NOT INCLUDED.

REMOVE ALL
BURRS AND
SHARP EDGES

NUMBER
B-96661

ISSUE:
1. 4/11/69



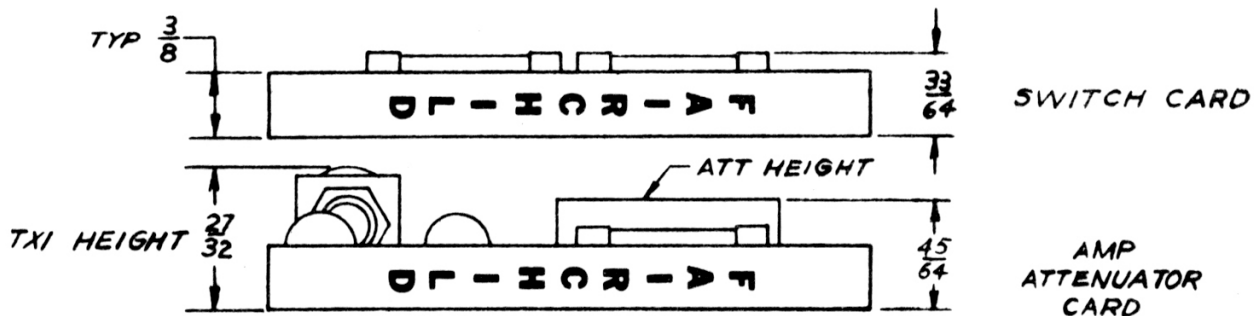
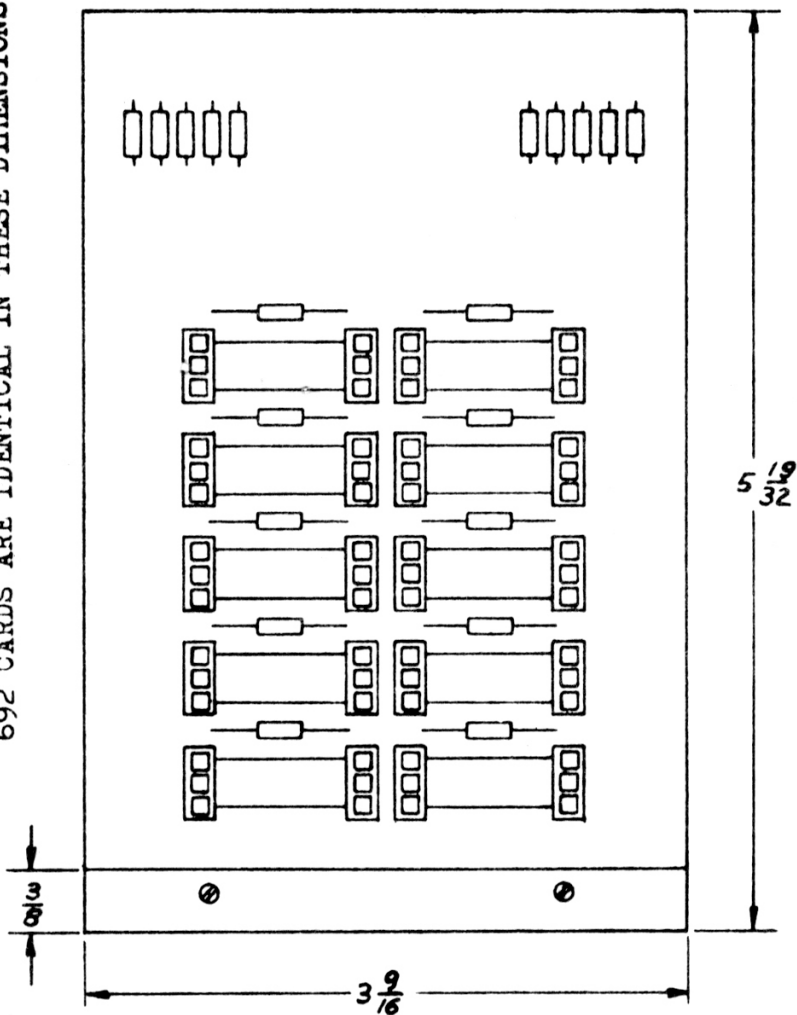
NOTES:

1. ALL RESISTORS ARE IN OHMS & 1/4W UNLESS OTHERWISE SPECIFIED.
2. ALL CAPACITORS IN MFD UNLESS OTHERWISE SPECIFIED.

REQ	DESCRIPTION	DWG NUMBER	ITER	NEXT ASSEMBLY
	MATERIAL	NAME 692 HLIC-4		
	HEAT TREATMENT	HIGH TO LOW IMPEDANCE CONVERTER (4 CHANN) SCHEMATIC DIAGRAM		
	FINISH	FAIRCHILD RECORDING EQUIPMENT CORPORATION 10-40 45 AVE. L. I. C. I. N. Y.		
DRAWN BY <i>[Signature]</i>	CHKD BY	DRFTG APP	SCALE	NUMBER
ENG	PROJECT ENG	ENG APP <i>[Signature]</i>	+	B-96661

INTEGRA II PC BOARD MOUNTING DIMENSIONS

AUDIO SWITCHER CARD USED AS AN
EXAMPLE FOR LENGTH & WIDTH. ALL
692 CARDS ARE IDENTICAL IN THESE DIMENSIONS.



A-96297