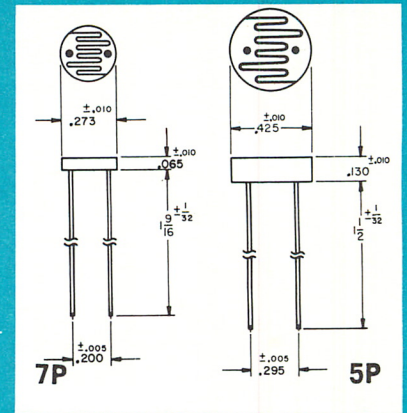


CL-5P & 7P SERIES

PLASTIC ENCAPSULATED

- 9 Types
- Maximum Power: 5P — 250 mw @ 25°C
7P — 125 mw @ 25°C
- Resistance Tolerance @ 2 ft.-c $\pm 33\frac{1}{3}\%$
- 3 Photoconductive Materials
- Temperature Range -25°C to $+ 75^{\circ}\text{C}$



TYPE	Sensitive Material	Peak Spectral Response (Angstroms)	Resistance @ 2 ft.-c (Ohms)	Min. Dark Resistance 5 sec. After 2 ft.-c	Maximum Voltage Rating (Peak A.C.)	Measurement Voltage
CL5P4	CdSe	6900	2.7 K	720 K	250 V	10 V
CL5P4L	CdSe	6900	.45 K	120 K	170 V	1.35 V
CL5P5	CdS	5500	9.0 K	450 K	250 V	12 V
CL5P5L	CdS	5500	1.5 K	75 K	170 V	10 V
CL7P4	CdSe	6900	54 K	14.4 Meg.	300 V	20 V
CL7P4L	CdSe	6900	1 K	268 K	170 V	4 V
CL7P5	CdS	5500	166 K	8.3 Meg	300 V	100 V
CL7P5L	CdS	5500	3.3 K	165 K	170 V	10 V
CL7P5HL	CdS	5500	28 K	14 Meg.	170 V	10 V

MEASUREMENT DATA • All measurements at 2854°K • Cells light adapted 16 hrs. at 30 ft.-c prior to test
• Measurement voltage is D.C. applied voltage for measuring resistance • All readings made at 25°C ambient.

Note: Most standard hermetically sealed cells are available in Plastic Encapsulated versions on special request.

CLAIREX®



CLAIREX ELECTRONICS DIV. • 560 South 3rd Ave. • Mount Vernon, N. Y. 10550 • (914) 664-6602