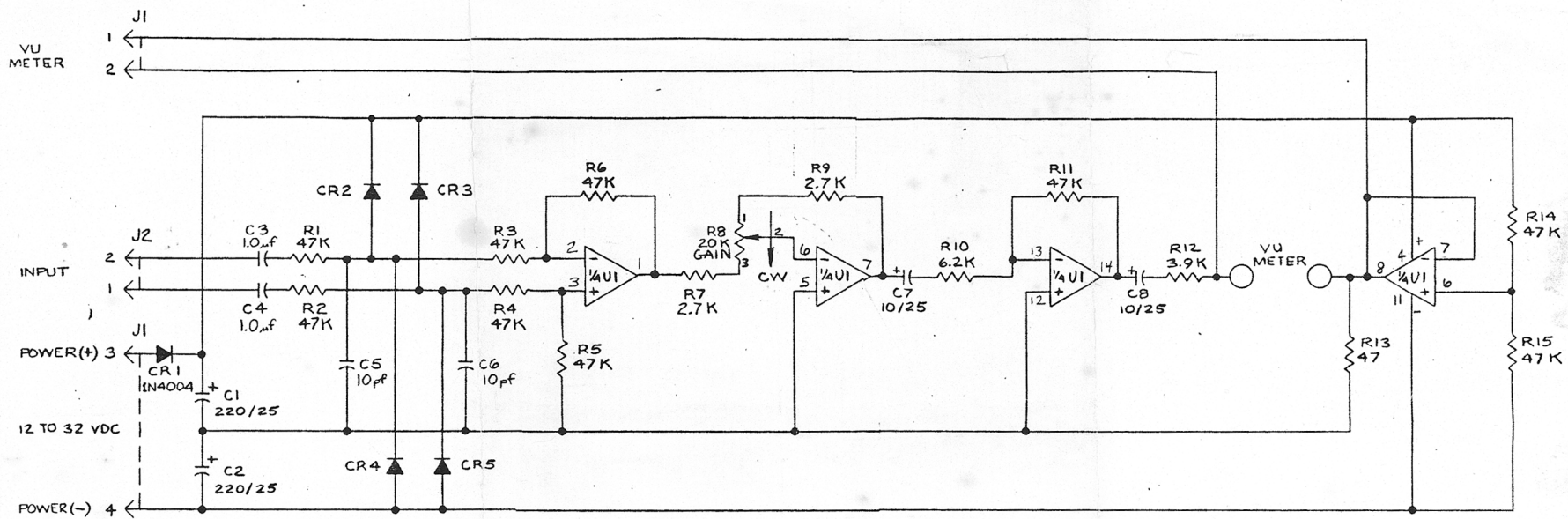


REVISIONS				
SYM	DESCRIPTION	DATE	BY	CHK APPD



- NOTES:
- UNLESS OTHERWISE SPECIFIED -
 - ALL DIODES ARE 1N4448.
 - ALL RESISTORS ARE 1/4 W, 5%.
 - U1 IS TYP TLO84 OP AMP.

RELEASED FOR PRODUCTION

DASH NO.	NEXT ASSEMBLY	PROJECT

QTY/RECD	PART OR IDENTIFYING NO.	ITEM NO.	DESCRIPTION	REF DESIG	MANUFACTURER
LIST OF MATERIALS OR PARTS LIST					
UNLESS OTHERWISE SPECIFIED		APPROVAL	BY	DATE	audio products, inc. JAN 27 1984 MADE IN USA
DIMENSIONS ARE IN INCHES		DRAWN	<i>[Signature]</i>	01-28-84	
TOLERANCES: ANGLES ±		CHECKED	MB	1-26-84	
FRACTIONS ±		ENGRG	Raw		
2 PLACE DECIMALS ±		PROJ ENGRG	JAVE	1-27-84	
3 PLACE DECIMALS ±		APPROVED	<i>[Signature]</i>	1-27 1984	
SURFACE ROUGHNESS		DO NOT SCALE DRAWING	NAME	DATE	
MATERIAL:		APPROVED			

SCHMATIC
VU METER AMP
WITH TLO84 OP AMP

SIZE	REV
C 33-01963-142	A
SCALE: NONE	SHEET 1 OF 1