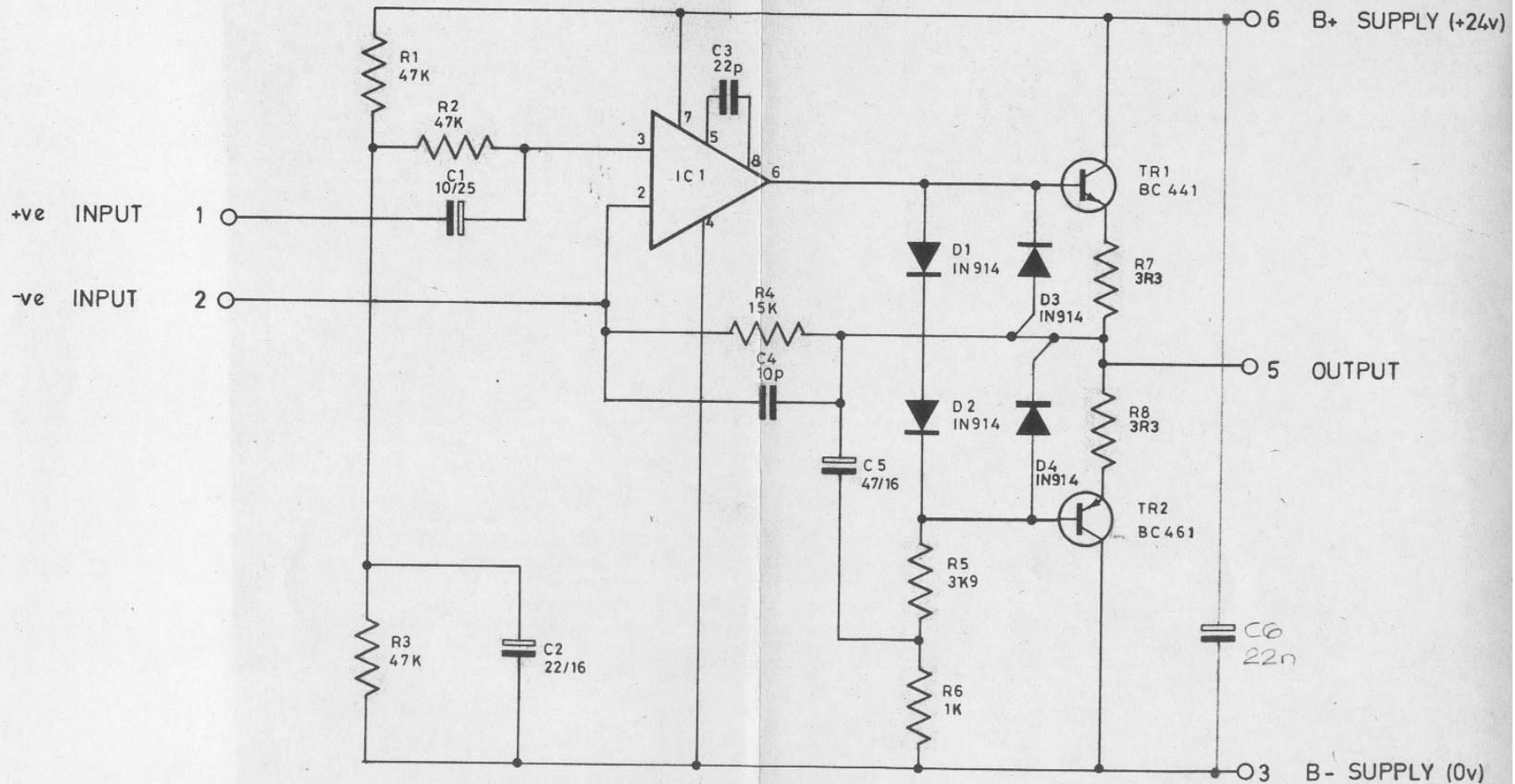


0640



Rupert Neve & Company Ltd. own the copyright of this drawing which is not to be copied, reproduced or disclosed, in part or whole, to a third party without written permission.



- NOTE- 1. ALL RESISTORS  $\frac{1}{4}$  W 5% M.O.  
 2. C1 IS A LOW LEAKAGE TANTALUM CAPACITOR.  
 3. TR1 & TR2 ARE MOUNTED TO HEATSINK

Neve B640 amplifier - IC1 was 5534 / 2N3053 can replace BC441 / 2N4037 can replace BC461  
 D1 and D2 provide some base spread to output devices to reduce crossover distortion  
 large open loop gain and feedback of chip reduces it further - active transistor bias  
 as in B340 and B440 amplifiers would be better but specs on this are okay...

FIRST USED ON | MATL.